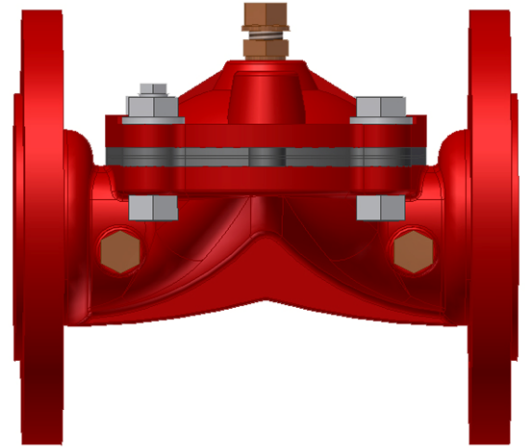


CAST IRON OR DUCTILE IRON ELECTRIC HYDRAULIC CONTROL VALVE

DESIGN DESCRIPTION:

- Design: Factory STD;
- Manufacture: Factory STD;
- Flange: ANSI B16.5, DIN2532/2533, BS 4504;
- Bolt Cover; Soft Seal;
- Material and Working Temp.:
 - ◆ Cast Iron and Ductile Iron: 0 °C-80 °C(32 °F-176 °F)
 - ◆ Buna-N: 0 °C-71 °C(160°F) Maximum
 - ◆ EPDM: 0 °C-80 °C(176°F) Maximum



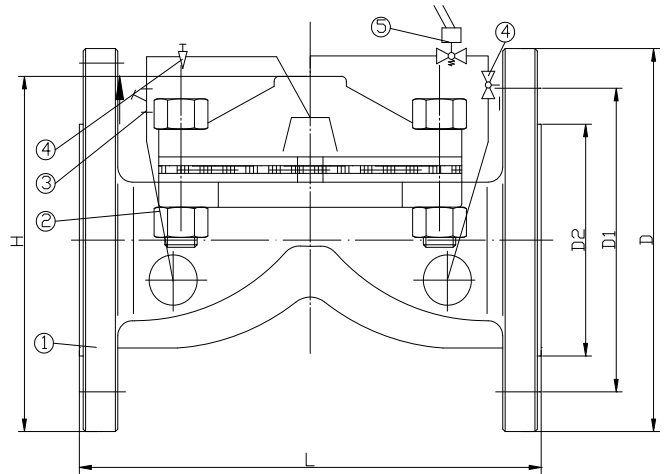
PARTS AND MATERIAL:

No	Parts Name	Material
1	Main Valve	ASTM A126-B/A536, WCB, CF8, CF8M
2	Control Pipeline	Rose Copper C11000
3	Strainer	Brass ASTM E C27400
4	Needle Valve	Brass ASTM E C27400
5	Solenoid Valve	Brass ASTM E C27400
6	Ball Valve	Brass ASTM E C27400

MAIN VALVE: PARTS AND MATERIAL:

No	Part Name	Material
1	BODY	ASTM A126-B/A536, WCB, CF8, CF8M
2	DIAPHRAGM	NBR/EPDM
3	CAP	ASTM A126-B/A536, WCB, CF8, CF8M
4	BOLT	Carbon Steel/Stainless Steel
5	NUT	Carbon Steel/Stainless Steel

OTHER MATERIALS ARE AVAILABLE UPON REQUEST.



DIMENSIONS LIST(UNIT:MM):

DN	50	65	80	100	125	150	200	250	300
Size	2"	2-1/2"	3"	4"	5"	6"	8"	10"	12"
L	192	235	275	315	300	390	568	460	300
H	110	120	205	240	250	320	340	450	580
PN10									
D	165	185	200	220	250	285	340	395	445
n	4	4	4	8	8	8	8	12	12
d	18	18	18	18	18	22	22	22	22
D1	125	145	160	180	210	240	295	350	400
D2	102	122	138	158	188	212	268	320	370
PN16									
D	165	185	200	220	250	285	340	405	460
N	4	4	8	8	8	8	12	12	12
D	18	18	18	18	18	22	22	26	26
D1	125	145	160	180	210	240	295	355	410
D2	102	122	138	158	188	212	268	320	378

✧ We hereby reserve the rights of any alternative dimension that would help to improve our valve's quality and working efficiency.