

CAST IRON OR DUCTILE IRON WATER-LEVEL VALVE

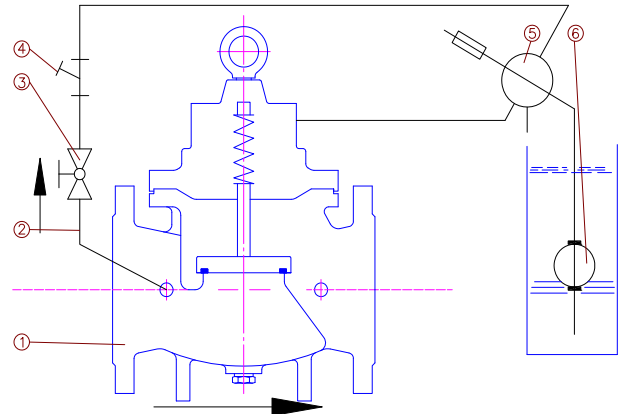
DESIGN DESCRIPTION:

- Design: Factory STD;
- Manufacture: Factory STD;
- Flange: ANSI B16.5, DIN2532/2533, BS 4504;
- Bolt Cover; Soft Seal;
- Material and Working Temp.:
 - ◆ Cast Iron and Ductile Iron: 0 °C-80 °C(32 °F-176 °F)
 - ◆ Buna-N: 0 °C- 71 °C(160°F) Maximum
 - ◆ EPDM: 0 °C-80 °C(176°F) Maximum



PARTS AND MATERIAL:

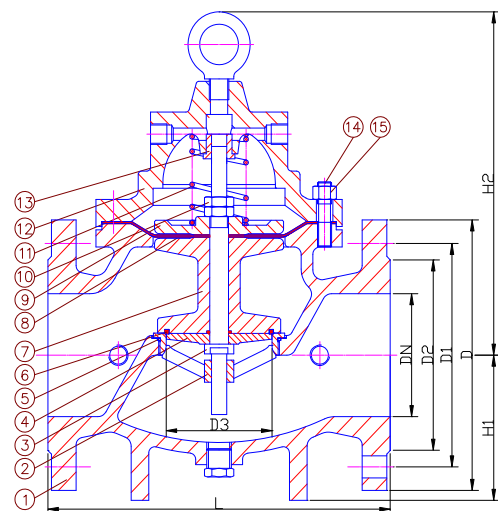
No	Parts Name	Material
1	Main Valve	ASTM A216-B, A536, WCB, CF8, CF8M
2	Control Pipeline	Rose Copper C11000
3	Ball Valve	Brass ASTM E C27400
4	Strainer	Brass ASTM E C27400
5	Guide Valve	Brass ASTM E C27400
6	Floating Ball	SS304



MAIN VALVE: PARTS AND MATERIAL:

No	Part Name	Material
1	BODY	ASTM A126-B/A536, WCB, CF8, CF8M
2	SEAT	Alloy Brass/Stainless Steel
3	STEM	2CR13/SS304/SS316
4	DISC PLATE	ASTM A126-B/A536, WCB, CF8, CF8M
5	O-RING	NBR/EPDM
6	SEAL RING	NBR/EPDM
7	DISC	ASTM A126-B/A536, WCB, CF8, CF8M
8	DIAPHRAGM	NBR/EPDM
9	PLATE	ASTM A126-B/A536, WCB, CF8, CF8M
10	NUT	Carbon Steel/Stainless Steel
11	SPRING	Stainless Steel
12	CAP	ASTM A126-B/A536, WCB, CF8, CF8M
13	O-RING	Alloy Brass/Stainless Steel
14	BOLT	Carbon Steel/Stainless Steel
15	NUT	Carbon Steel/Stainless Steel

OTHER MATERIALS ARE AVAILABLE UPON REQUEST.



DIMENSIONS LIST(UNIT:MM):

DN	20	25	32	40	50	65	80	100	125	150	200	250	300	350	400	450
Size	3/4"	1"	1-1/4"	1-1/2"	2"	2-1/2"	3"	4"	5"	6"	8"	10"	12"	14"	16"	15"
L	180	180	180	200	203	216	241	292	330	356	495	622	698	787	914	978
H1	300	300	310	320	90	100	105	120	140	160	190	245	270	310	340	340
H2					230	260	260	290	330	345	460	500	570	620	710	720
PN10																
D	105	115	140	150	165	185	200	220	250	285	340	395	445	505	565	615
n	4	4	4	4	4	4	4	8	8	8	8	12	12	16	16	20
d	14	14	18	18	18	18	18	18	18	22	22	22	22	22	26	26
D1	75	85	100	110	125	145	160	180	210	240	295	350	400	460	515	565
D2	58	68	78	88	102	122	138	158	188	212	268	320	370	430	482	532
PN16																
D	105	115	140	150	165	185	200	220	250	285	340	405	460	520	580	640
N	4	4	4	4	4	4	8	8	8	8	12	12	12	16	16	20
D	14	14	18	18	18	18	18	18	18	22	22	26	26	26	30	30
D1	75	85	100	110	125	145	160	180	210	240	295	355	410	470	525	585
D2	58	68	78	88	102	122	138	158	188	212	268	320	378	438	490	545
PN25(WCB/CF8/CF8M)																
D	105	115	140	150	165	185	200	235	270	300	360	425	485	555	620	670
N	4	4	4	4	4	8	8	8	8	8	12	12	16	16	16	20
D	14	14	18	18	18	18	18	22	26	26	26	30	30	33	36	36
D1	75	85	100	110	125	145	160	190	220	250	310	370	430	490	550	600
D2	58	68	78	88	102	122	138	162	188	218	278	335	395	450	505	

✧ We hereby reserve the rights of any alternative dimension that would help to improve our valve's quality and working efficiency.