

CAST IRON OR DUCTILE IRON NON-RISING STEM GATE VALVE BOLTED BONNET

DESIGN DESCRIPTION:

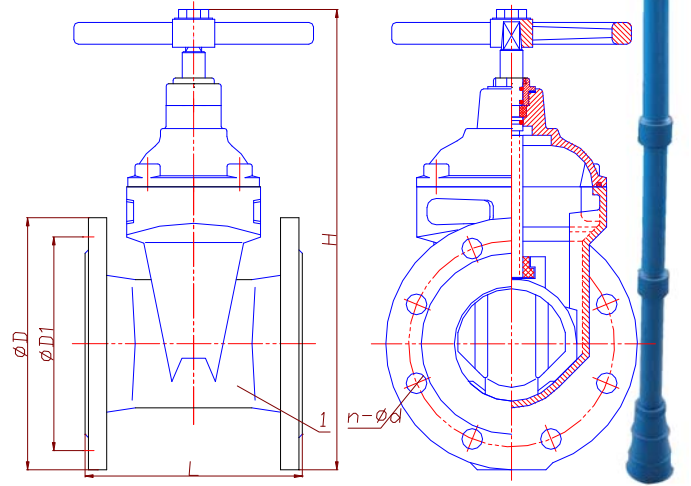
- Design: AWWA C509, C515, MSS SP-70;
- Manufacture: Factory STD;
- Face To Face: ANSI B16.10
- Flange: ANSI B16.1;
- Bolt Bonnet;
- Soft Seal;
- Material and Working Temp.:
 - ◆ Cast Iron and Ductile Iron: 0 °C-200 °C(32 °F-392 °F)
 - ◆ Buna-N: 71 °C(160°F) Maximum
 - ◆ EPDM: 80 °C(176°F) Maximum



PARTS AND MATERIAL:

NO.	PART NAME	MATERIAL
1	Body	ASTM A126-B/A536, DIN GG25/GGG40
2	Disc	Ductile iron with NBR/EPDM
3	Stem nut	Brass
4	Stem	Stainless steel
5	Bonnet	ASTM A126-B/A536, DIN GG25/GGG40
6	O-ring	NBR
7	holder	NBR
8	Stem packing	NBR
9	Gland	ASTM A126-B/A536, DIN GG25/GGG40
10	Hand wheel	Ductile iron

OTHER MATERIALS ARE AVAILABLE UPON REQUEST.



DIMENSIONS LIST(UNIT:MM):

Size	2 "	2 1/2 "	3 "	4 "	5 "	6 "	8 "	10 "	12 "	14"	16"	18"	20"	24"
L	178	190	203	229	254	267	292	330	356	381	406	432	457	508
H	258	283	318	353	395	441	532	621	699	768	850	943	1031	1185
Class 125LBS														
D	152	178	191	229	254	279	343	406	483	533	597	635	699	813
n	4	4	4	8	8	8	8	12	12	12	16	16	20	20
d	19	19	19	19	22	22	22	25	25	29	29	32	32	35
D1	120.5	139.5	152.5	190.5	216	241.5	298.5	362	432	476	539.5	577.9	635	749.5
Class 150LBS														
D	152	178	191	229	254	279	343	406	483	533	597	635	699	813
n	4	4	4	8	8	8	8	12	12	12	16	16	20	20
d	19	19	19	19	22	22	22	25	25	29	29	32	32	35
D1	120.5	139.5	152.5	190.5	216	241.5	298.5	362	432	476	539.5	577.9	635	749.5

✧ We hereby reserve the rights of any alternative dimension that would help to improve our valve's quality and working efficiency.