

**CAST IRON OR DUCTILE IRON
KNIFE GATE VALVE BOLTED GLAND**

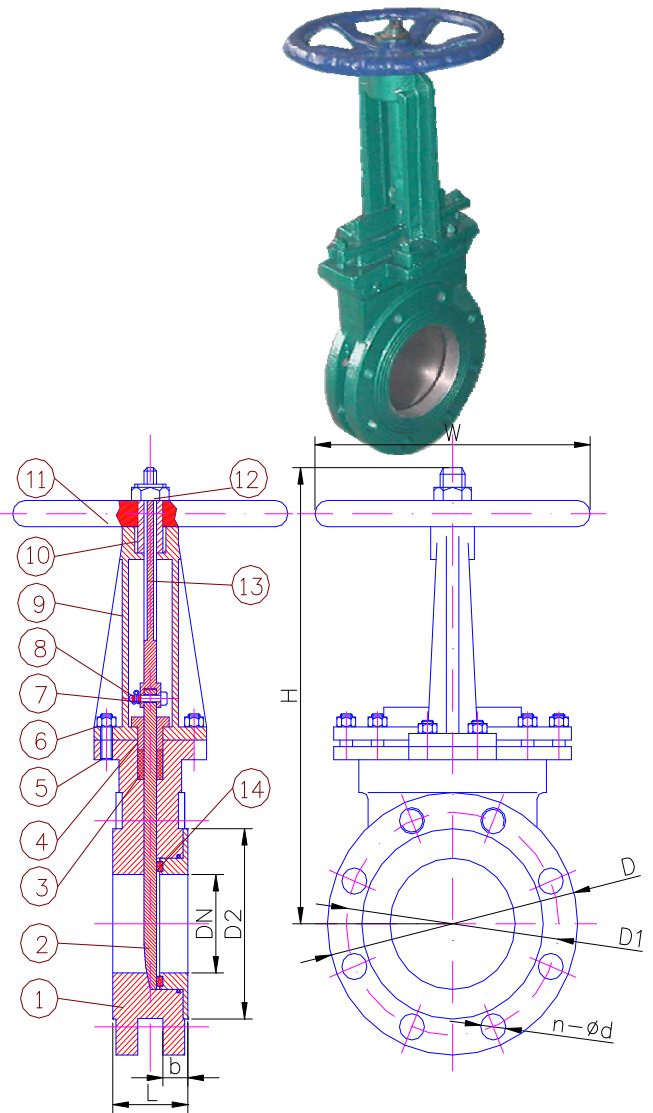
DESIGN DESCRIPTION:

- Design: MSS SP-81;
- Manufacture: Factory STD;
- Face To Face: ANSI B16.10
- Flange: ANSI B16.1, DIN2501;
- Bolt Gland;
- Metal Seal;
- Material and Working Temp.:
 - ◆ Cast Iron and Ductile Iron: 0 °C-80 °C(32°F -176°F)
 - ◆ Brass/bronze Seal: 80 °C(176°F) Maximum
 - ◆ Stainless Steel Seal: 80 °C(176°F) Maximum

PARTS AND MATERIAL:

NO.	PARTS NAME	MATERIAL
1	BODY	ASTM A126-B/A536,DIN GG25/GGG40
2	DISC	SS304/SS316
3	GASKET	BRAIDED GRAPITE RING
4	GLAND	ASTM A126-B/A536,DIN GG25/GGG40
5	BONNET NUT	CARBON STEEL
6	BONNET BOLT	CARBON STEEL
7	STEM BOLT	CARBON STEEL
8	RESISTENT PIN	CARBON STEEL
9	BONNET	ASTM A126-B/A536,DIN GG25/GGG40
10	STEM NUT	BRASS OR DUCTILE IRON
11	HANDWHEEL	DUCTILE IRON
12	H.W.LOCKNUT	STEEL
13	STEM	F6a/F304/F316
14	SEAL RING	EPDM/PTFE/BRASS

OTHER MATERIALS ARE AVAILABLE UPON REQUEST.



DIMENSIONS LIST(UNIT:MM):

SIZE	DN	L	D	D1	D2	H	b	n-Φ	W
2"	50	55	152	121	92	302	16	4-19	240
2-1/2"	65	55	178	140	111	317	18	4-19	240
3"	80	55	190	153	127	340	19	4-19	240
4"	100	55	229	191	157	377	20	8-19	280
5"	125	60	254	216	186	430	20	8-22	280
6"	150	60	279	242	216	525	20	8-22	360
8"	200	70	343	299	278	670	22	8-22	360
10"	250	80	406	362	324	771	22	12-25	400
12"	300	80	483	432	381	895	25	12-25	400
14"	350	90	533	476	413	982	25	12-29	500
16"	400	90	597	540	470	1245	28	16-29	500
18"	450	130	635	578	533	1338	28	16-32	500
20"	500	130	698	635	584	1465	30	20-32	500
24"	600	130	813	750	692	1658	30	20-35	720

✧ We hereby reserve the rights of any alternative dimension that would help to improve our valve's quality and working efficiency.