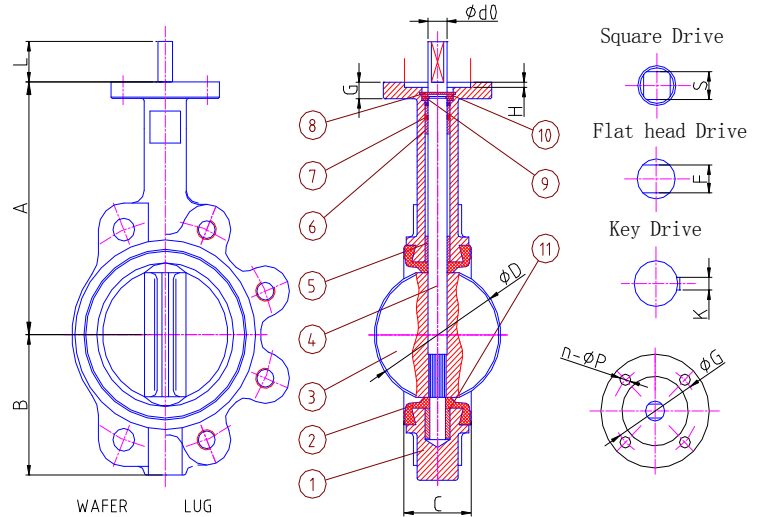


CAST IRON OR DUCTILE IRON WAFER/LUG BUTTERFLY VALVE

DESIGN DESCRIPTION:

- Design:
 - ◆ API609,
 - ◆ MSS SP-67,
 - ◆ BS 5155,
 - ◆ BS EN593;
- Face To Face:
 - ◆ API609,
 - ◆ MSS SP-67,
 - ◆ BS 5155,
 - ◆ BS EN558 ;
- Flange:
 - ◆ ANSI B16.5 125LBS,
 - ◆ DIN2501,
 - ◆ BS4504,
 - ◆ BS10D&E,
 - ◆ JIS 10K;
- Actuator Mounting PAD: ISO 5211
- Centre contraction;
- Lining NBR/EPDM/CSM/FPM or U-TYPE Seat;
- Available Phenolic(Alumin) backed Seat;
- Available Nylon or PTFE Or Paint Coating Disc
- Material and Working Temp.:
 - ◆ Cast Iron and Ductile Iron: 0 °C-200 °C(32 °F-392 °F)
 - ◆ Buna-N: -12 °C-82 °C(10.5°F-179°F)
 - ◆ EPDM: -45 °C-135 °C(-49°F-275°F)
 - ◆ CSM/Hypalon: -18 °C-135 °C(0°F-275°F)
 - ◆ FPM/Viton: -12 °C-150 °C(10.5°F-302°F)



PARTS AND MATERIAL:

NO	PARTS NAME	MATERIAL
1	BODY	ASTM A-126-B,A536,A216-WCB,A351-CF8/CF8M
2	SEAT	HYPALON,EPDM,NBR,VITON,PTFE,NEOPRENE
3	DISC	ASTM A536,NYLONG COATING,A351-CF8/CF8M,ASTM B148
4	STEM	ASTM A182-F304/F316/410,MONEL K500
5	LONG BUSHING	PTFE OR BRONZE
6	SHORT BUSHING	PTFE OR BRONZE
7	O-RING	HYPALON,EPDM,NBR,VITON,PTFE,NEOPRENE
8	SPRING CIRCLIP	SPRING STEEL
9	HALF-WASHER	CARBON STEEL
10	WASHER	CARBON STEEL
11	LONG BUSHING	PTFE OR BRONZE

OTHER MATERIALS ARE AVAILABLE UPON REQUEST

DIMENSIONS LIST(UNIT:MM):

SIZE	A	B	C	D	d0	F	ISO5211	L	K	G	N-P	S	H	G
2"	161	80	42	52.9	12.6	10	F07	32	90	70	4-9	9	4	12
2-1/2"	175	89	45.8	64.5	12.6	10	F07	32	90	70	4-9	9	4	13
3"	181	95	45.8	78.8	12.6	10	F07	32	90	70	4-9	9	4	13
4"	200	114	52	104	15.77	12	F07	32	90	70	4-9	11	4	13
5"	213	127	55	123.3	18.92	14	F07	32	90	70	4-9	14	4	14
6"	226	139	55.8	155.1	18.92	14	F07	32	90	70	4-9	14	4	14
8"	260	175	61.6	202.5	22.1	17	F10	45	125	102	4-12	17	4	15
10"	292	203	67.2	250.5	28.45	22	F10	45	125	102	4-12	22	4	15
12"	337	242	76.9	301.6	31.6	24	F10	45	140	102	4-12	22	4	20
14"	368	267	76.5	333.3	31.6	24	F10	45	140	102	4-12	22	4	20
16"	400	309	86.5	389.6	33.15		F14	52	197	140	4-18	9	4	11
18"	422	328	105.6	440.5	38		F14	52	197	140	4-18	9	4	11
20"	480	361	131.8	491.6	41.15		F14	65	197	140	4-18	9	4	12

✧ We hereby reserve the rights of any alternative dimension that would help to improve our valve's quality and working efficiency.