

**CAST IRON OR DUCTILE IRON  
DOUBLE FLANGED BUTTERFLY VALVE**

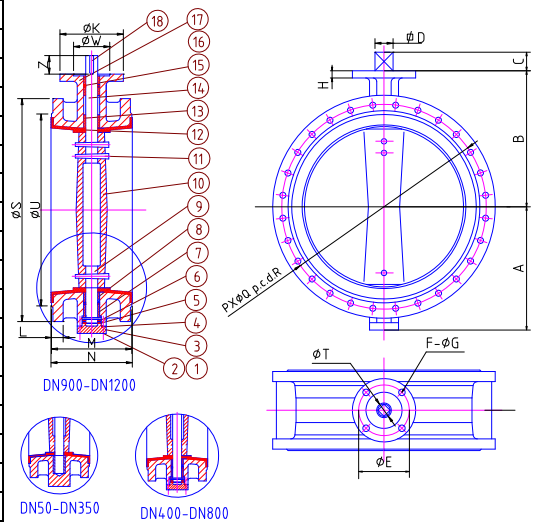
**DESIGN DESCRIPTION:**

- Design: API609, MSS SP-67, BS 5155, BS EN593;
- Face To Face: API609, MSS SP-67, BS 5155, BS EN558 ;
- Flange: ANSI B16.5 125LBS, DIN2501, BS4504, BS10D&E, JIS 10K;
- Actuator Mounting PAD: ISO 5211
- Centre contraction;
- Lining NBR/EPDM/CSM/FPM Seat;
- Available Nylon or PTFE Or Paint Coating Disc;
- Material and Working Temp.:
  - ◆ Cast Iron and Ductile Iron: 0 °C-200 °C(32 °F-392 °F)
  - ◆ Buna-N: -12 °C-82 °C(10.5°F-179°F)
  - ◆ EPDM: -45 °C-135 °C(-49°F-275°F)
  - ◆ CSM/Hypalon: -18 °C-135 °C(0°F-275°F)
  - ◆ FPM/Viton: -12 °C-150 °C(10.5°F-302°F)



**PARTS AND MATERIAL:**

NO	PARTS NAME	MATERIAL
1	BOLT	CARBON STEEL
2	SPRING WASHER	SPRING STEEL
3	END COVER	ASTM A-126-B, A536, A216-WCB, A351-CF8/CF8M
4	O-RING	HYPALON, EPDM, NBR, VITON, PTFE, NEOPRENE
5	WASHER	ASTM A276 S41000
6	BEARING	BEARING STEEL
7	DOWN BUSHING	PTFE OR BRONZE
8	MIDDLE BUSHING	PTFE OR BRONZE
9	DOWN STEM	ASTM A182-F304/F316/410, MONEL K500
10	DISC	ASTM A536 65-45-12, A351-CF8/CF8M, ASTM B148
11	PIN	ASTM A182-F304/F316/410
12	SEAT	HYPALON, EPDM, NBR, VITON, PTFE, NEOPRENE
13	SHORT BUSHING	PTFE OR BRONZE
14	LONG BUSHING	PTFE OR BRONZE
15	UP STEM	ASTM A182-F304/F316/410, MONEL K500
16	O-RING	HYPALON, EPDM, NBR, VITON, PTFE, NEOPRENE
17	BODY	ASTM A-126-B, A536, A216-WCB, A351-CF8/CF8M
18	KEY	CARBON STEEL



OTHER MATERIALS ARE AVAILABLE UPON REQUEST

**DIMENSIONS LIST(UNIT:MM):**

SIZE	A	B	C	H	K	E	F	G	P	Q	R	L	M	N	S	U	D	W	Z	ΦT
DN50	83	120	32	13	90	70	4	10	4	19	125	20	150	153	165	102	11X11			12.6
DN65	93	130	32	13	90	70	4	10	4	19	145	20	170	173	185	122	11X11			12.6
DN80	100	145	32	13	90	70	4	10	8	19	160	22	180	183	200	138	11X11			12.6
DN100	114	155	32	13	90	70	4	10	8	19	180	22	190	193	220	158	11X11			15.77
DN125	125	170	32	16	90	70	4	10	8	19	210	24	200	203	250	188	14X14			18.92
DN150	143	190	32	16	90	70	4	10	8	23	240	24	210	213	285	212	14X14			18.92
DN200	170	205	45	16	125	102	4	12	12	23	295	26	230	233	340	268	17X17			22.1
DN250	198	235	45	16	125	102	4	12	12	28	355	26	250	253	405	320	22X22			28.45
DN300	223	280	45	20	140	102	4	12	12	28	410	32	270	274	460	370	22X22			38.1
DN350	270	310	45	20	140	102	4	12	16	28	470	36	290	294	520	430	22X22			38.1
DN400	300	340	51	20	197	140	4	18	16	31	525	38	310	314	580	482		12	66	37.9
DN450	340	375	51	20	197	140	4	18	20	31	585	40	330	337	640	532		12	66	42.86
DN500	355	430	57	24	197	140	4	18	20	34	650	42	350	355	715	585		12	70	45.72
DN600	410	500	70	24	276	165	4	23	20	37	770	48	390	395	840	685		16	74	53.98
DN700	478	560	66	28	300	254	8	18	24	37	840	54	430	437	910	800		18	66	63.35
DN800	529	620	66	28	300	254	8	18	24	40	950	58	470	477	1025	905		18	66	63.35
DN900	584	665	118	34	300	254	8	18	28	40	1050	62	510	517	1125	1005		20	118	75
DN1000	657	735	141	36	300	254	8	18	28	43	1170	66	550	557	1255	1110		25	141	85
DN1200	799	917	141	36	300	254	8	18	32	49	1390	66	630	637	1485	1328		25	141	85

✧ We hereby reserve the rights of any alternative dimension that would help to improve our valve's quality and working efficiency.