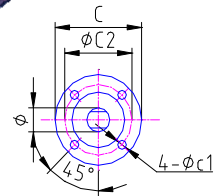


CAST IRON OR DUCTILE IRON GROOVE ENDS BUTTERFLY VALVE

DESIGN DESCRIPTION:

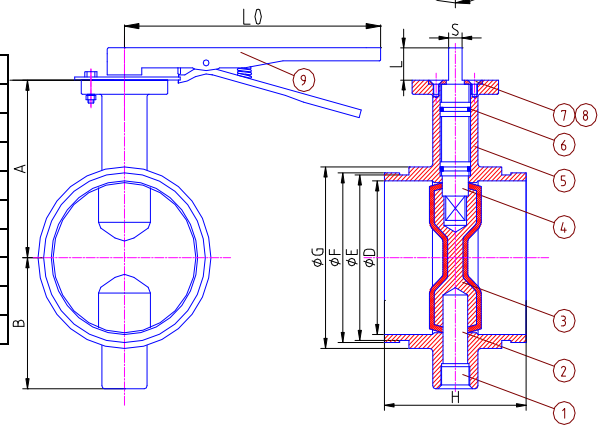
- Design: MSS SP-67;
- Face To Face: MSS SP-6;
- Groove end: AWWA C606;
- Actuator Mounting PAD: ISO 5211
- Centre contraction;
- NBR/EPDM/CSM/FPM Coating Disc;
- Available NBR/EPDM/CSM/FPM Coating Seat;
- Material and Working Temp.:
 - ◆ Cast Iron and Ductile Iron: 0 °C-200 °C(32 °F-392 °F)
 - ◆ Buna-N: -12 °C-82 °C(10.5°F-179°F)
 - ◆ EPDM: -45 °C-135 °C(-49°F-275°F)
 - ◆ CSM/Hypalon: -18 °C-135 °C(0°F-275°F)
 - ◆ FPM/Viton: -12 °C-150 °C(10.5°F-302°F)



PARTS AND MATERIAL:

NO	PARTS NAME	MATERIALS
1	STUD	CARBON STEEL
2	BOTTOM SHAFT	SS416/SS410
3	DISC	DUCTILE IRON NBR/EPDM/CSM/FPM COATING
4	UP SHAFT	SS416/SS410
5	BODY	GGG40/GGG50
6	O-RING	EPDM
7	BOLT	CARBON STEEL
8	WASHER	CARBON STEEL
9	GEAR/LEVER	

OTHER MATERIALS ARE AVAILABLE UPON REQUEST



DIMENSIONS LIST(UNIT:MM):

DN	A	B	H	D	E	F	G	ISO 5211	Φ	L	C	C1	C2	S	L0
50	100	70	83	51	57.1	60.3	67	F07	12.6	32	90	10	70	10	266
65	106	75	97	64	69.1	73	80	F07	12.6	32	90	10	70	10	266
80	113	82	97	76	84.9	88.9	97	F07	12.6	32	90	10	70	10	266
100	135	100	116	100	110.1	114	123	F07	15.77	32	90	10	70	12	266
125	148	119	148	128	137	141	151	F07	18.92	32	90	10	70	14	266
150	176	130	148	152	163.9	168	180	F07	18.92	32	90	10	70	14	266
200	204	162	154	203	214.4	219	231	F10	22.1	45	125	12	102	17	355
250	228	200	159	253	268.3	273	284	F10	28.45	45	125	12	102	22	355
300	266	234	164	303	318.3	323	335	F10	31.8	45	125	12	102	24	205

✧ We hereby reserve the rights of any alternative dimension that would help to improve our valve's quality and working efficiency.