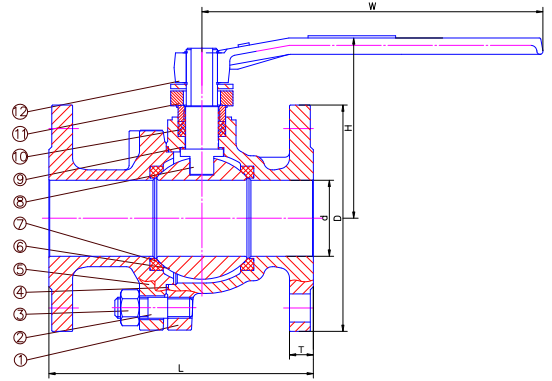


**CAST IRON OR DUCTILE IRON
2-PC BALL VALVE**

DESIGN DESCRIPTION:

- Design:
 - ◆ DIN3357
 - ◆ ANSI B16.1
 - ◆ BS5759;
- Face To Face:
 - ◆ DIN3202-F4(DN15-DN100),F5(DN125-DN250)
 - ◆ ANIS B16.10
 - ◆ BS4460
- Flange:
 - ◆ ANSI B16.1 125LBS
 - ◆ DIN2532/2533,
 - ◆ JIS B2212,
 - ◆ BS4504;
- Bolt Cover, 2PC;
- Full Port, Reduce Port(DIN);
- Available ISO 5211 Actuator Mounting PAD;
- Material and Working Temp.:
 - ◆ Cast Iron and Ductile Iron: 0 °C-280 °C(32 °F-536 °F)
 - ◆ PTFE: 180 °C(356°F) Maximum



PARTS AND MATERIAL:

NO.	PARTS NAME	MATERIALS
1	BODY	ASTM A126-B/A395,DIN GG25/GGG40,FC200/FCD400, BS1452 220
2	CAP BOLT	CAST STEEL
3	CAP NUT	CAST STEEL
4	GASKET	PTFE
5	CAP	ASTM A126-B/A395,DIN GG25/GGG40,FC200/FCD400, BS1452 220
6	BALL	SS304
7	SEAT	PTFE
8	STEM	SS304
9	STEM GASKET	PTFE
10	STEM PAKCING	PTFE
11	GLAND FLANGE	ASTM A126-B/A395,DIN GG25/GGG40,FC200/FCD400, BS1452 220
12	HANDLE	DUCTILE IRON

OTHER MATERIALS ARE AVAILABLE UPON REQUEST.

DIMENSIONS LIST(UNIT:MM):

SIZE	DN	D				L				H				T			
		DIN	ANSI	JIS	BS	DIN	ANSI	JIS	BS	DIN	ANSI	JIS	BS	DIN	ANSI	JIS	BS
1/2"	15	95	89	95	95	115	108	108	108	78	78	78	78	14	9.7	14	9.7
3/4"	20	105	98.6	100	100	120	117	117	117	113	113	113	113	16	10.5	16	10.5
1"	25	115	108	125	125	125	127	127	127	107	107	107	107	16	11.2	16	11.2
1-1/4"	32	140	117	135	135	130	140	140	140	113	113	113	113	18	12.7	18	12.7
1-1/2"	40	150	127	140	140	140	165	165	165	130	130	130	130	18	14.2	18	14.2
2"	50	165	152	155	155	150	178	178	178	146	146	146	146	20	15.9	20	15.9
2-1/2"	65	185	178	175	175	170	190	190	190	176	176	176	176	20	17.5	22	17.5
3"	80	200	191	185	185	180	203	203	203	222	222	222	222	22	19.1	22	19.1
4"	100	220	229	210	210	190	229	229	229	300	222	222	222	24	23.9	24	23.9
5"	125	250	254	250	250	325	356	356	356	325	250	250	250	26	24	24	24
6"	150	285	279	280	280	350	394	394	394	350	275	275	275	26	25.4	26	25.4
8"	200	340	343	330	340	400	457	457	457					30	28.5	26	28.5
10"	250	405		325		450		533						32		30	30.2

✧ We hereby reserve the rights of any alternative dimension that would help to improve our valve's quality and working efficiency.