

SHANGHAI CIPHY INDUSTRY CO.,LTD.

ANSI CLASS 900/1500/2500

CARBON STEEL OR STAINLESS STEEL

GATE VALVE PRESSURE SEAL DESIGN

MODEL NO: SRAXBW-RS



GATE VALVE PRODUCT'S SIZE:

PRESSURE GRADE	FROM	TO
CLASS 900	2"	16"
CLASS 1500	2"	16"
CLASS 2500	2"	10"

DESIGN DESCRIPTION:

- * BOLTED BONNET
- * OUTSIDE SCREW AND YOKE FLEXIBLE WEDGE,
- * FULLY GUIDER;
- * PRESSURE SEAL
- * INTEGRAL SEATS;
- * HANDWHEEL OPERATOR;
- * AVAILABLE WITH GEAR OPERATOR;
- * FLANGED ENDS OR BUTT-WELDING ENDS;
- * RISING FLANGE OR RING TYPE JOINT.

WORKING PRESSURE AND TEMPERATURE:

WORKING TEMPERATURE		
MATERIAL	CELSIUR SCALE	FAHRENHEIT
CARBON STEEL	-29°C~425°C	6°F~822°F
STAINLESS STEEL	-40°C~550°C	15°F~1047°F

GENERAL DESIGN SPECIFICATIONS:

ITEM	AMERICAN STANDARD
MANUFACTURE	API 6D OR API 600
PRESSURE-TEMPERATURE RATINGS	ANSI B16.34
FACE TO FACE	ANSI B16.10
END TO END	ANSI B16.10
END FLANGE	ANSI B16.5
END BUTT-WELDING	ANSI B16.25
INSPECTION AND TEST	API 598

TEST PRESSURE TO API598:

ANSI	SHELL (WATER)		SHELL (AIR)		SEAT (WATER)		SEAT (AIR)		BACK SEAT(WATER)	
CLASS 900	3350PSI	235BAR	2242PSI	157BAR	2242PSI	157BAR	80PSI	6BAR	2242PSI	157BAR
CLASS 1500	5626PSI	395BAR	4078PSI	286BAR	4078PSI	286BAR	80PSI	6BAR	4078PSI	286BAR
CLASS 2500	9275PSI	652BAR	6787PSI	477BAR	6787PSI	477BAR	80PSI	6BAR	6787PSI	477BAR

TRIMS SPECITIED DUE TO TABLE 3:

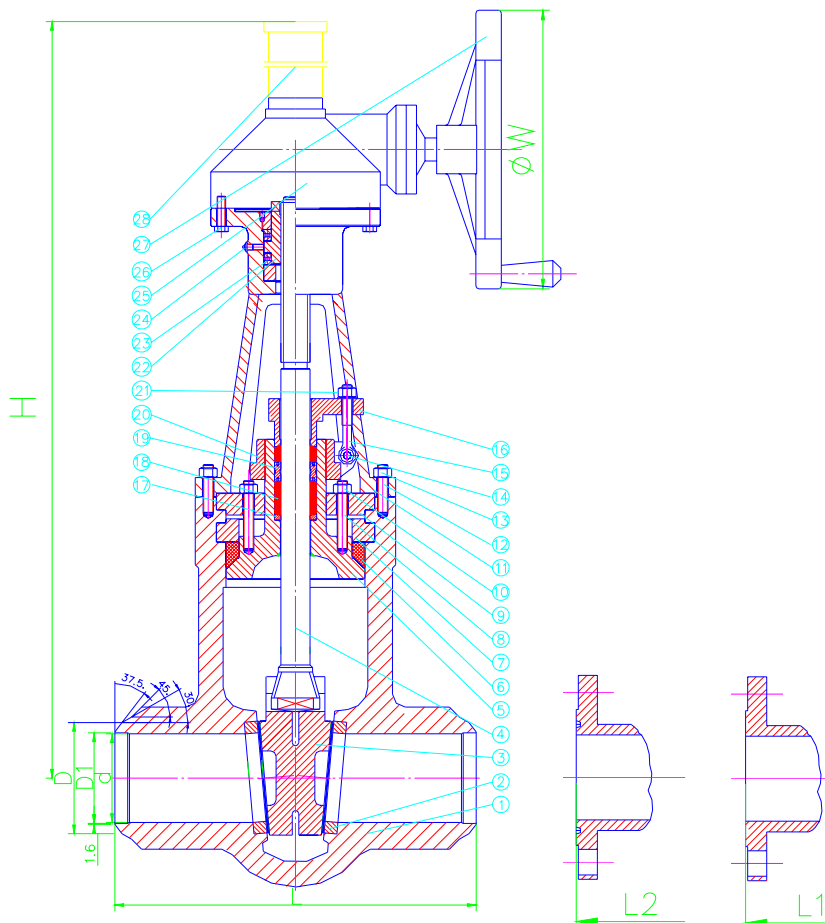
DISC SEAT SURFACE PART NO.3	BODY SEAT SURFACE PART NO.2	STEM PART NO.4	BACKSEAT FACE PART NO.5
F6	F6	F6	F6
STELLITE	STELILITE	F6	F6
F6	STELILITE	F6	F6
F304	F304	F304	F304
F316	F316	F316	F316
MONEL	MONEL	MONEL	MONEL
ALLOY 20	ALLOY 20	ALLOY 20	ALLOY 20

OTHER MATERIALS ARE AVAILABLE UPON REQUEST.

PARTS AND MATERIAL (ASTM):

NO	PARTS NAME	MATERIAL					
1	BODY	A216WCB	A217WC9	A217C5	A217WC6	A351CF8	A351CF8M
5	STUFFING BOX	A216WCB	A217WC9	A217C5	A217WC6	A351CF8	A351CF8M
6	SEAL RING	GRAPHITE+SS304 OR GRAPHITE+SS316					
7	SPLIT RING	STEEL	STEEL	STEEL	STEEL	S.S	S.S
8	BOLT	A193 B7	A193 B7	A193 B7	A193 B7	A193 B8	A193 B8
9	BACK RING	STEEL	STEEL	STEEL	STEEL	S.S	S.S
10	NUT	A194 2H	A194 2H	A194 2H	A194 2H	A194 Gr.8	A194 Gr.8
11	YOKE	A216WCB	A217WC9	A217C5	A217WC6	A351CF8	A351CF8M
12	YOKE BOLT	A193 B7	A193 B7	A193 B7	A193 B7	A193 B8	A193 B8
13	YOKE NUT	A194 2H	A194 2H	A194 2H	A194 2H	A194 Gr.8	A194 Gr.8
14	SPLIT PING	STEEL	STEEL	STEEL	STEEL	STEEL	STEEL
15	EYEBOLT	A193 B7	A193 B7	A193 B7	A193 B7	A193 B8	A193 B8
16	GLAND FLANGE	A105	A105	A105	A105	A105	A105
17	PACKING PLATE	AISI 410	AISI 410	AISI 410	AISI 410	AISI 304	AISI 304
18	PACKING	FLEXIBLE GRAPHITE OR PTFE					
19	LANTERN RING	A182 F6A	A182 F6A	A182 F6A	A182 F6A	A182 F304	A182 F316
20	GLAND YOKE	A216WCB	A217WC9	A217C5	A217WC6	A351CF8	A351CF8M
21	GLAND NUT	A194 2H	A194 2H	A194 2H	A194 2H	A194 Gr.8	A194 Gr.8
22	STEM NUT	NI-RESIST A439-D2					
23	BEARING	STEEL	STEEL	STEEL	STEEL	STEEL	STEEL
24	LUBRICATOR	BRASS					
25	GEAR	DUCTILE IRON					
26	GEAR STUD	A193 B7	A193 B7	A193 B7	A193 B7	A193 B8	A193 B8
27	HANDWHEEL	DUCTILE IRON					
28	RIVET	AISI 304					

OTHER MATERIALS ARE AVAILABLE UPON REQUEST.



DIMENSIONS LIST(UNIT:MM):

CLASS 900

DN	SIZE	d	D	D1	L	L1	L2	H(OPEN)	W
50	2"	47	63	53	216	368	371	509	350
65	2-1/2"	57	75	63	254	419	422	608	400
80	3"	73	91	78	305	381	384	666	400
100	4"	98	117	102	335	457	460	764	450
150	6"	146	172	154	508	610	613	1006	500
200	8"	191	223	203	660	737	740	1014	600
250	10"	238	278	255	787	838	841	1300	700

CLASS 1500

DN	SIZE	d	D	D1	L	L1	L2	H(OPEN)	W
50	2"	47	63	53	216	368	371	534	350
65	2-1/2"	57	75	63	254	419	422	653	400
80	3"	70	91	78	305	470	473	714	400
100	4"	92	117	102	406	546	548	768	450
125	5"	111	144	128	483			808	450
150	6"	136	172	154	559	705	711	980	500
200	8"	178	223	203	711	832	841	1048	600

CLASS 2500

DN	SIZE	d	D	D1	L	L1	L2	H(OPEN)	W
50	2"	47	63	53	279	451	454	580	350
65	2-1/2"	57	75	63	330	508	514	700	400
80	3"	70	91	78	368	578	584	765	450
100	4"	92	117	102	457	673	683	882	450
125	5"	111	144	128	533			1042	500
150	6"	136	172	154	610	917	927	1187	600
200	8"	178	223	203	762	1022	1038	1248	700

*** We hereby reserve the rights of any alternative dimension that would help to improve our valve's quality and working efficiency**



SHANGHAI CIPHY INDUSTRY CO.,LTD
7G-1 Building, N0.515 Yishan Rd.
Shanghai, China
TEL:+86-21-5497 5962
FAX:+86-21-5497 5963
HTTP://WWW.CIPHY.CN
CIPHY@CIPHY.COM
COPYRIGHT©2004-[CIPHY]
ALL RIGHTS RESERVED.