

SHANGHAI CIHPY INDUSTRY CO.,LTD.

Q/JBG NO.2 CAST IRON OR ALUMIN ALLOY PITCH VALVE NON-RISING STEM DESIGN

MODEL NO: IHDXRF-000



PITCH VALVE PRODUCT'S SIZE:

PRESSURE GRADE	FROM	TO
PN 10	2"	14"
PN 16	2"	14"

DESIGN DESCRIPTION:

- * BOLTED BONNET;
- * FULLY GUIDER;
- * HANDWHEEL OPERATOR;
- * FLANGED ENDS;

WORKING PRESSURE AND TEMPERATURE:

WORKING TEMPERATURE	
MATERIAL	CELSIUR SCALE
CAST IRON	0°C~85°C
CAST STEEL	0°C~85°C

GENERAL DESIGN SPECIFICATIONS:

ITEM	BRITISH STANDARD
MANUFACTURE	FACTORY STANDARDS
PRESSURE-TEMPERATURE RATINGS	0°C~85°C
FACE TO FACE	CHINA STANDARDS
END FLANGE	DIN2533
INSPECTION AND TEST	DIN3230

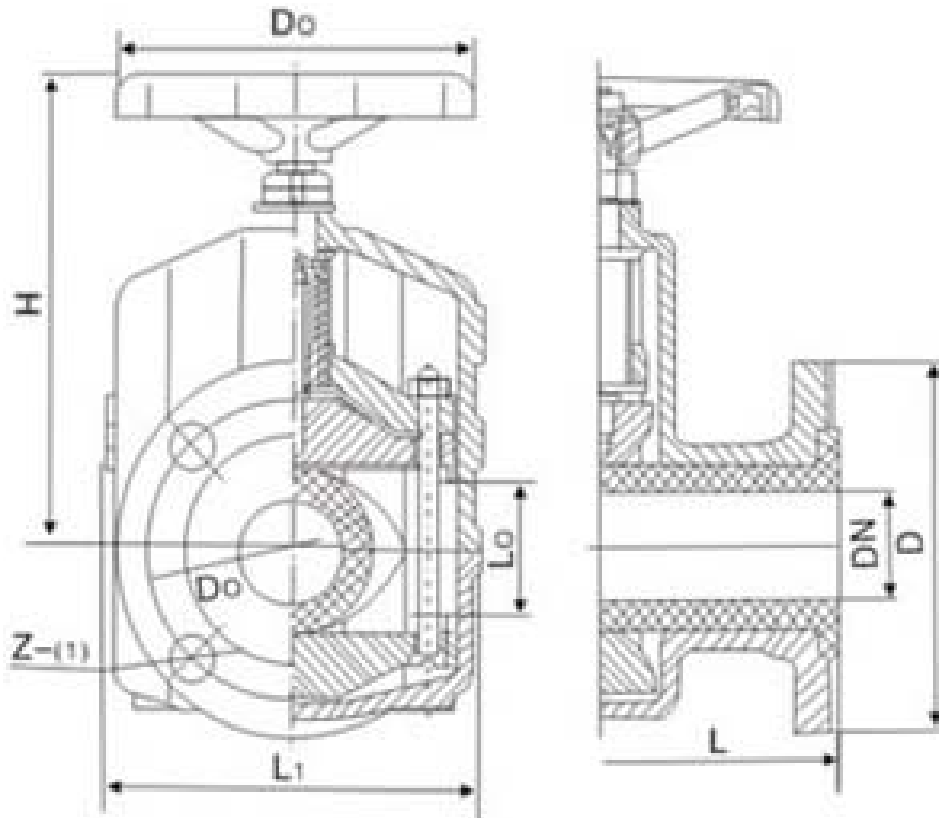
TEST PRESSURE TO DIN3230:

PN	SHELL (WATER)	SEAT(WATER)
4	0.6MPA	0.44MPA
6	0.9MPA	0.66MPA

PARTS AND MATERIAL (ASTM):

NO.	PARTS NAME	MATERIALS
1	BODY	CAST IRON OR CAST STEEL OR ALUMIN ALLOY
2	PITCH	NBR OR EPDM OR PTFE
3	STEM	STAILESS STEEL OR CARBON STEEL
4	DISC	CAST IRON OR CAST STEEL
5	HANDWHEEL	CAST IRON
6	YOKE	DUCTILE IRON

OTHER MATERIALS ARE AVAILABLE UPON REQUEST.



DIMENSIONS LIST(UNIT:MM):

size	L	L1	Lo	D	D1	Do	H	Z-Ø
DN25	160	124	31	115	85	120	150	4-14
DN32	165	145	40	140*	100	140	174	4-18
DN40	190	157	50	150*	110	140	186	4-18
DN50	210	160	60	160	125	160	205	4-18
DN65	250	199	74	180	145	160	238	4-18
DN80	300	222	88	195	160	200	241	4-18
DN100	350	250	106	215	180	240	301	8-18
DN125	430	318	134	245	210	280	360	8-18
DN150	500	350	158	280	240	320	405	8-23
DN200	650	446	206	335	295	560	545	8-23
DN250	800	516	256	395*	350	560	632	12-23
DN300	950	562	304	445*	400	620	741	12-23

Note:

1 " *" dimension is for GB flange standards

2 PRESSURE RATE: DN25~DN150 PN6, DN200~DN300 PN4

*** We hereby reserve the rights of any alternative dimension that would help to improve our valve's quality and working efficiency**



SHANGHAI CIPHY INDUSTRY CO.,LTD
 3F-402,NO.1467 CAOBAO Rd. JINGANXIN TOWN
 SHANGHAI, CHINA.
 TEL:+86-21-5478 4461
 FAX:+86-21-5478 4464
 HTTP://WWW.CIPHY.CN
 CIPHY@CIPHY.COM
 COPYRIGHT©2004-[CIPHY]
 ALL RIGHTS RESERVED