

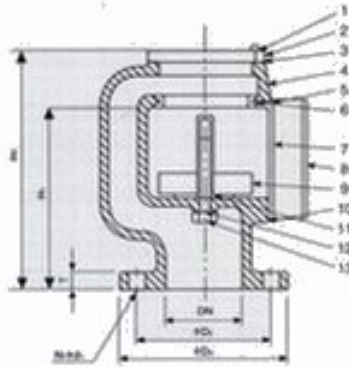
SHANGHAI CIPHY INDUSTRY CO.,LTD.

Marine Valve JIS-KS91A-121

MODEL NO: JIS-KS91A-121



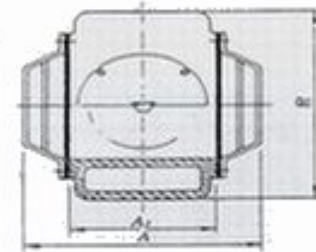
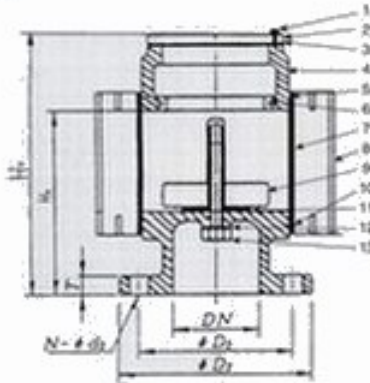
JIS-KS91A-121 DN50-DN80



530N DN50-DN200



JIS-KS91A-121 DN100-DN450



MAIN DATA FOR JOINING(mm)

Dimensions (mm)											Weight (kg)
DN	D ₂	D ₃	H _r	H	T	N	A	A _s	R		
50	105	130	175	127	14	4-Ø15	179	139	135	7.4	
65	130	155	204	164	14	4-Ø15	205	160	146	12.6	
80	145	180	244	176	14	4-Ø15	237	188	156	16	
100	165	200	220	160	16	8-Ø19	245	155	250	23	
125	200	235	250	180	16	8-Ø19	270	180	288	34	
150	230	265	285	208	18	8-Ø19	316	216	330	47	
200	280	320	365	269	20	8-Ø23	394	274	432	72	
250	345	385	430	314	22	12-Ø23	485	325	546	120	
300	390	430	530	367	22	12-Ø23	550	384	616	178	
350	435	480	570	415	24	12-Ø23	661	425	714	196	
400	495	540	640	475	24	12-Ø23	703	457	749	235	
450	555	605	713	522	24	12-Ø23	816	510	836	298	

Item	Name	Materials
1	Hex Bolt	STS 304
2	Cover	SS 400
3	Asbestos Cushion	Asbestos
4	Body	FC 200, FCD 450
5	Hex Bolt	STS 304
6	Rubber Ring	NBR
7	Flite	STS 304
8	Screen Cover	SS 400
9	Stainless Float	STS 316
10	Hex Bolt	STS 304
11	Rubber Cushion	NBR
12	Cushion	STS 304
13	Guide bolt	STS 304



SHANGHAI CIPHY INDUSTRY CO.,LTD
 7G-1 Building, N0.515 Yishan Rd.
 Shanghai, China
 TEL:+86-21-5497 5962
 FAX:+86-21-5497 5963
 HTTP://WWW.CIPHY.CN
 CIPHY@CIPHY.COM
 COPYRIGHT©2004-[CIPHY]
 ALL RIGHTS RESERVED.