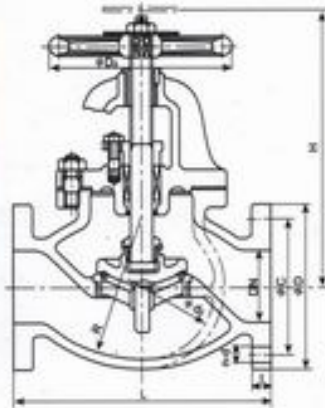


SHANGHAI CIPHY INDUSTRY CO.,LTD.

Marine Valve JIS F7309/7377/7310/7378

MODEL NO: JIS- F7309/7377/7310/7378

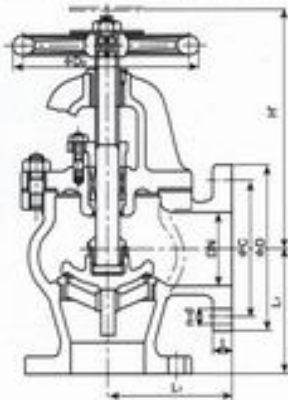


MAIN DATA FOR JOINING(mm)

DN	L	D	C	n-d	t	H	D ₂	d ₂	R	Weight (kg)
50	220	155	120	8-19	20	285	160	110	110	19.6
65	270	175	140	8-19	22	310	200	135	135	28.3
80	300	200	160	8-23	24	340	224	160	160	40.4
100	350	225	185	8-23	26	385	250	195	195	56.9
125	430	270	225	8-25	26	455	315	240	240	89.5
150	500	305	260	12-25	28	510	355	280	280	123
200	570	350	305	12-25	30	630	450	365	365	188

Marine Cast Iron Globe Valves JIS F7309 16K

Marine Cast Iron Screw Down Check Globe Valves JIS F7377 16K



MAIN DATA FOR JOINING(mm)

DN	L ₁	D	C	n-d	t	H	D ₂	Weight (kg)
50	120	155	120	8-19	20	255	160	18.0
65	130	175	140	8-19	22	270	200	25.0
80	150	200	160	8-23	24	295	224	35.7
100	170	225	185	8-23	26	330	250	49.2
125	200	270	225	8-25	26	390	315	76.1
150	225	305	260	12-25	28	435	355	103
200	250	350	305	12-25	30	540	450	155

Marine Cast Iron Angle Valves JIS F7310 16K

Marine Cast Iron Screw Down Check Angle Valves JIS F7378 16K

Applicable scope:

The products are used for controlling the medium to open and close, preventing reflux in fuel oil piping, lubricating oil piping, water piping and steam piping at temperatures 205°C or less. Dimensions of flange are according to JIS B2220 flange dimensions of steel pipe.

Capability:

Nominal Pressure	16kgf/cm ² (1.56Mpa)
Seal Pressure	24.2kgf/cm ² (2.38Mpa)
Intensity Pressure	33kgf/cm ² (3.24Mpa)

Materials of major parts:

Part name	Material			
	Name	Mark (B)	Name	Mark (S)
Body, Bonnet	CI/DI	HT200.QT400-15	CI/DI	HT200.QT400-15
Disc, Seat	Cast bronze	ZCuSn5Pb5Zn5	Stainless steel	2cr13
Stem	Bronze	QA19-2	Stainless steel	2cr13
Packing	Flexible graphite		Flexible graphite	

Medium	Max Pressure: kgf/cm ² (Mpa)
Steam ≤ 205°C	16 (1.57)
Air&gas	
Oil&flow water	22 (2.16)
Lentic water ≤ 120°C	



SHANGHAI CIPHY INDUSTRY CO.,LTD
 7G-1 Building, N0.515 Yishan Rd.
 Shanghai, China
 TEL:+86-21-5497 5962
 FAX:+86-21-5497 5963
 HTTP://WWW.CIPHY.CN
 CIPHY@CIPHY.COM
 COPYRIGHT©2004-[CIPHY]
 ALL RIGHTS RESERVED.