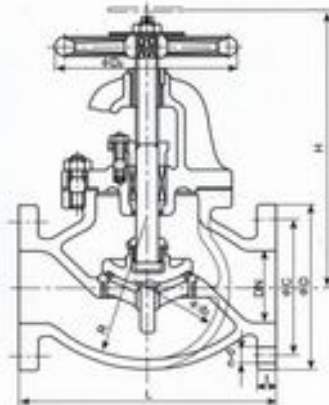


SHANGHAI CIPHY INDUSTRY CO.,LTD.

Marine Valve JIS F7307/7375/7308/7376

MODEL NO: JIS- F7307/7375/7308/7376

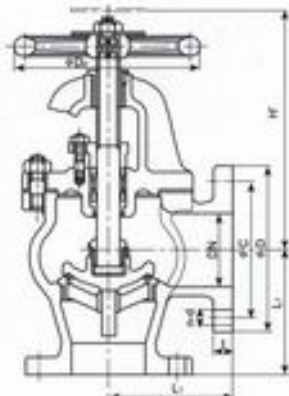


MAIN DATA FOR JOINING(mm)

DN	L	D	C	n-d	t	H	D ₂	d ₂	R	Weight (kg)
50	220	155	120	4-19	20	285	160	110	110	19.9
65	270	175	140	4-19	22	310	200	135	135	28.7
80	300	185	150	8-19	22	320	200	160	160	32.4
100	350	210	175	8-19	24	370	250	195	195	48.7
125	420	250	210	8-23	24	420	280	240	240	73.1
150	490	280	240	8-23	26	470	315	280	280	104
200	570	330	290	12-23	26	555	355	365	365	162
250	740	400	355	12-25	30	680	450	470	470	304
300	840	445	400	16-25	32	770	500	550	550	458

Marine Cast Iron Globe Valves JIS F7307 10K

Marine Cast Iron Screw Down Check Globe Valves JIS F7375 10K



MAIN DATA FOR JOINING(mm)

DN	L ₁	D	C	n-d	t	H'	D ₂	Weight (kg)
50	120	155	120	4-19	20	255	160	18.2
65	130	175	140	4-19	22	270	200	25.4
80	140	185	150	8-19	22	275	200	27.4
100	160	210	175	8-19	24	315	250	40.6
125	180	250	210	8-23	24	360	280	69.9
150	205	280	240	8-23	26	405	315	81.0
200	230	330	290	12-23	26	475	355	125
250	290	400	355	12-25	30	570	450	211
300	320	445	400	16-25	32	645	500	293

Marine Cast Iron Angle Valves JIS F7308 10K

Marine Cast Iron Screw Down Check Angle Valves JIS F7376 10K

Applicable scope:

The products are used for controlling the medium to open and close, preventing reflux in fuel oil piping, lubricating oil piping, water piping and steam piping at temperatures 205°C or less. Dimensions of flange are according to JIS B2220 flange dimensions of steel pipe.

Capability:

Nominal Pressure	10kgf/cm ² (0.98Mpa)	
Seal Pressure	φ < 200 15.4kgf/cm ²	φ > 250 11kgf/cm ²
Intensity Pressure	φ < 200 21kgf/cm ²	φ > 250 15kgf/cm ²

Materials of major parts:

Part name	Material			
	Name	Mark (B)	Name	Mark (S)
Body, Bonnet	CI/DI	HT200.QT400-15	CI/DI	HT200.QT400-15
Disc, Seat	Cast bronze	ZCuSn6Pb5Zn5	Stainless steel	2cr13
Stem	Bronze	QAI 9-2	Stainless steel	2cr13
Packing	Flexible graphite		Flexible graphite	

Medium	Max Pressure kgf/cm ² (Mpa)	
Steam ≤ 205°C	< φ 200	< φ 200
Air&gas	10 (0.98)	—
Oil&flow water	< φ 200	< φ 250
Lenitic water ≤ 120°C	14 (1.37)	10 (0.98)



SHANGHAI CIPHY INDUSTRY CO.,LTD
 7G-1 Building, N0.515 Yishan Rd.
 Shanghai, China
 TEL:+86-21-5497 5962
 FAX:+86-21-5497 5963
 HTTP://WWW.CIPHY.CN
 CIPHY@CIPHY.COM
 COPYRIGHT©2004-[CIPHY]
 ALL RIGHTS RESERVED.