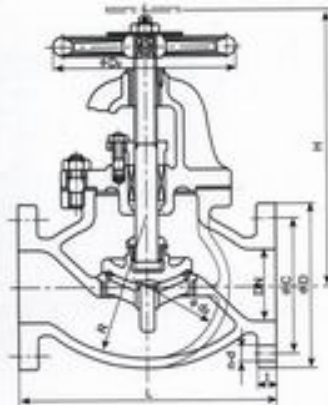


SHANGHAI CIPHY INDUSTRY CO.,LTD.

Marine Valve JIS F7305/7353/7306/7354

MODEL NO: JIS- F7305_7353_7306_7354

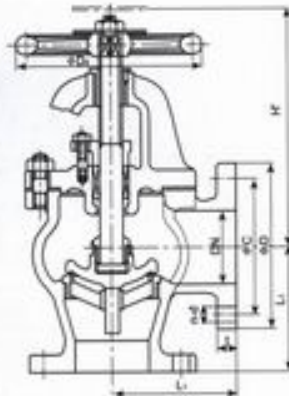


MAIN DATA FOR JOINING(mm)

DN	L	D	C	n-d	t	H	D ₂	d ₂	R	Weight (kg)
50	210	130	105	4-15	16	270	160	110	110	14.7
65	250	155	130	4-15	18	300	180	135	135	21.3
80	280	180	145	4-19	18	310	180	160	160	27.7
100	340	200	165	8-19	20	360	224	195	195	40.8
125	410	235	200	8-19	20	390	250	240	240	57.6
150	480	265	230	8-19	22	445	280	280	280	80.3
200	570	320	280	8-23	24	530	315	365	365	139
250	740	385	345	12-23	26	650	355	460	460	246
300	800	430	390	12-23	28	740	400	560	560	377

Marine Cast Iron Globe Valves JIS F7305 5K

Marine Cast Iron Screw Down Check Globe Valves JIS F7353 5K



MAIN DATA FOR JOINING(mm)

DN	L ₁	D	C	n-d	t	H'	D ₂	Weight (kg)
50	100	130	105	4-15	16	240	160	12.9
65	115	155	130	4-15	18	255	180	18.2
80	130	180	145	4-19	18	265	180	23.4
100	150	200	165	8-19	20	310	224	33.7
125	170	235	200	8-19	20	330	250	46.2
150	190	265	230	8-19	22	380	280	63.4
200	220	320	280	8-23	24	450	315	105
250	275	385	345	12-23	26	540	355	176
300	310	430	390	12-23	28	610	400	243

Marine Cast Iron Angle Valves JIS F7306 5K

Marine Cast Iron Screw Down Check Angle Valves JIS F7354 5K

Applicable scope:

The products are used for controlling the medium to open and close, preventing reflux in fuel oil piping, lubricating oil piping, water piping and steam piping at temperatures 205°C or less. Dimensions of flange are according to JIS B2220 flange dimensions of steel pipe.

Capability:

Nominal Pressure	5kgf/cm ² (0.49Mpa)
Seal Pressure	7.7kgf/cm ² (0.761Mpa)
Intensity Pressure	10.5kgf/cm ² (1.03Mpa)

Materials of major parts:

Part name	Material			
	Name	Mark (B)	Name	Mark (S)
Body, Bonnet	CI/DI	HT200.QT400-15	CI/DI	HT200.QT400-15
Disc, Seat	Cast bronze	ZCuSn6Pb2Zn5	Stainless steel	2cr13
Stem	Bronze	QAI 9-2	Stainless steel	2cr13
Packing	Flexible graphite		Flexible graphite	

Medium	Max Pressure kgf/cm ² (Mpa)
Steam ≤205°C	5 (0.49)
Air&gas	
Oil&flow water	
Lenitic water ≤120°C	7 (0.69)



SHANGHAI CIPHY INDUSTRY CO.,LTD
 7G-1 Building, N0.515 Yishan Rd.
 Shanghai, China
 TEL:+86-21-5497 5962
 FAX:+86-21-5497 5963
 HTTP://WWW.CIPHY.CN
 CIPHY@CIPHY.COM
 COPYRIGHT©2004-[CIPHY]
 ALL RIGHTS RESERVED.