

SHANGHAI CIPHY INDUSTRY CO.,LTD.

ANSI CLASS 150 & DIN PN6/10

CAST STEEL LINER OF PTFE OR FEP

BUTTERFLY VALVE BOLTED BONNET DESIGN

MODEL NO: SFA(D)XRF-LIN



BUTTERFLY VALVE PRODUCT'S SIZE:

PRESSURE GRADE	FROM	TO
CLASS 150	1-1/2"	24"
PN6/10	DN40	DN600

DESIGN DESCRIPTION:

- * Two-piece Splite body bolted in design.
- * Lining PTFE Or PFA body
- * Long cycle life, Low uniform torques.
- * Double D Stem Head Design Provides Mounting Of The Lever.
- * High voltage test for PTFE AND PFA lining.
- * Equipped With Silicon Rubber Cushion In The Seat Is Flexible.
- * Lever, Gear, Pneumatic Actuator, Electric Actuator.

WORKING PRESSURE AND TEMPERATURE:

WORKING TEMPERATURE		
MATERIAL	CAST STEEL	PTFE
CELSIUR SCALE	-29 ⁰ C~425 ⁰ C	-20 ⁰ C~200 ⁰ C
FAHRENHEIT	6 ⁰ F~822 ⁰ F	-4 ⁰ F~392 ⁰ F

GENERAL DESIGN SPECIFICATIONS:

ITEM	CLASS 150/PN6/10
MANUFACTURE	MANUFACTOR STANDARD
FACE TO FACE	ANSI B16.10 OR JIS B2002
END FLANGE	ANSI B16.5a JIS B2212~2214 OR DIN2501
INSPECTION AND TEST	API 598
LINING VILTAGE TEST	25KV HIGH VOLTAGE

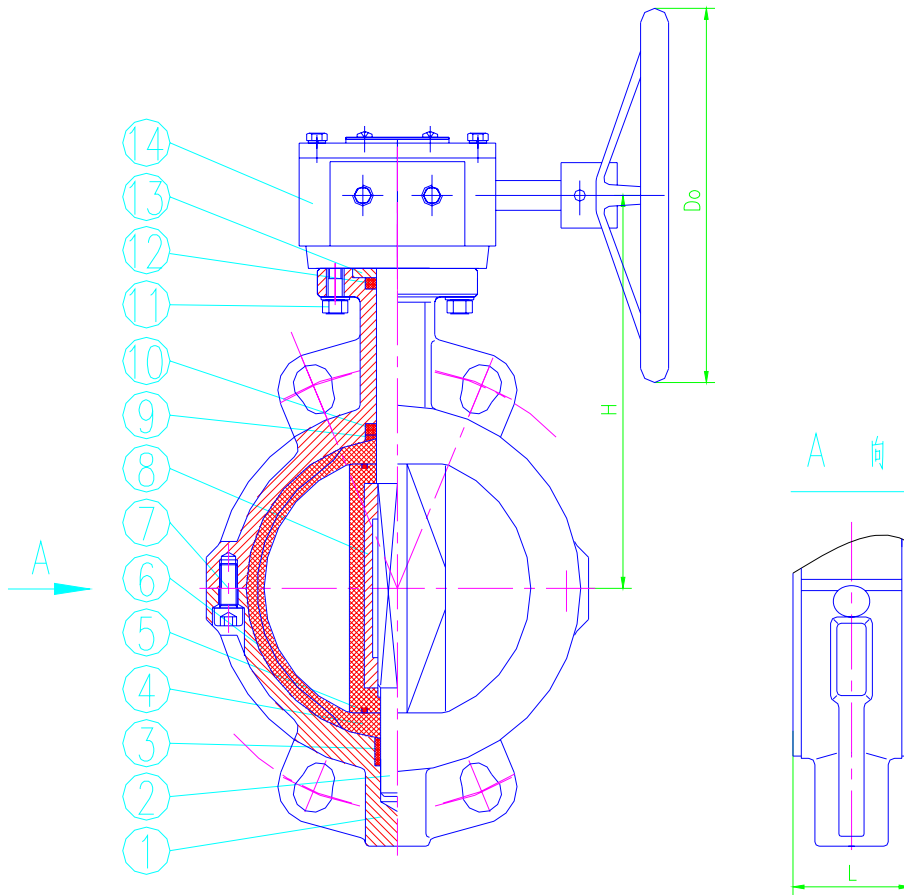
TEST PRESSURE TO API598

PRESS. RATING	SHELL (WATER)		SEAT (WATER)		SEAT (AIR)	
CLASS 150	3.1MPA	450PSI	2.2MPA	315PSI	0.6MPA	80PSI
PN6	0.9MPA	/	0.66MPA	/	0.6MPA	/
PN10	1.5MPA	/	1.1MPA	/	0.6MPA	/

PARTS AND MATERIAL (ASTM)

NO.	PARTS NAME	MATERIALS
1	BODY	WCB+PTFE/PFA
2	STEM	2CR13
3	BEARING	PTFE
4	SEAT	PTFE
5	O-RING	VITON
6	LINING PAD	SILASTIC
7	SCREW	CARBON STEEL
8	DISC	DUCTIL IRON/WCB/CF8/CF8M LINING PTFE/PFA
9	SEAL RING	PTFE
10	MID BEARING	NBR
11	SCREW	CARBON STEEL
12	UP BEARING	NBR
13	STEM CAP	CARBON STEEL
14	GEAR OR LEVER	DUCTILE IRON

OTHER MATERIALS ARE AVAILABLE UPON REQUEST.


DIMENSIONS LIST(UNIT:MM):

Size	DN	L	H	D0	WEIGHT(kg)
1-1/2"	40	40	136	150	10
2"	50	43	143	150	12
2-1/2"	65	46	157	150	14
3"	80	46	178	150	18.5
4"	100	52	185	200	20
5"	125	56	206	200	22
6"	150	56	225	280	25
8"	200	60	275	280	46
10"	250	68	326	340	58
12"	300	78	333	340	70
14"	350	78	393	340	92
16"	400	102	438	340	135
18"	450	114	488	340	170
20"	500	127	540	400	203
24"	600	154	615	400	340

*** We hereby reserve the rights of any alternative dimension that would help to improve our valve's quality and working efficiency.**



SHANGHAI CIPHY INDUSTRY CO.,LTD
7G-1 Building, N0.515 Yishan Rd.
Shanghai, China
TEL:+86-21-5497 5962
FAX:+86-21-5497 5963
HTTP://WWW.CIPHY.CN
CIPHY@CIPHY.COM
COPYRIGHT©2004-[CIPHY]
ALL RIGHTS RESERVED.