

# SHANGHAI CIPHY INDUSTRY CO.,LTD.

## DIN PN16/ANSI CLASS150 BOLTED BODY TYPE CARBON STEEL OR STAINLESS STEEL KNIFE GATE VALVE HALF PART DESIGN

**MODEL NO: SKD(A)XRF-HP**



### KNIFE GATE VALVE PRODUCT'S SIZE:

PRESSURE GRADE	FROM	TO
PN16/CLASS150	12"	20"

### DESIGN DESCRIPTION:

- \* TWO-PIECE CAST STEEL BODY;
- \* THREADED HOLE FLANGED ENDS;
- \* BOLTED BONNET OUT STEM AND YOKE TYPE;
- \* INDUSTRY APPLICATION:  
PAPER PULP, SEWAGE, SAND, SCORIA, LYE, HEAVY MEDIUM GANUE;
- \* AVAILABLE WITH HANDWHEEL, ELECTRIC, PNEUMATIC ACTUATION.

### WORKING PRESSURE AND TEMPERATURE:

MATERIAL	CELSIUR SCALE	FAHRENHEIT
CARBON STEEL	-29 <sup>0</sup> C~425 <sup>0</sup> C	6 <sup>0</sup> F~822 <sup>0</sup> F
STAINLESS STEEL	-40 <sup>0</sup> C~550 <sup>0</sup> C	15 <sup>0</sup> F~1047 <sup>0</sup> F

### GENERAL DESIGN SPECIFICATIONS:

ITEM	AMERICAN STANDARD
MANUFACTURE	FACTORY STANDARDS
FACE TO FACE	MSS-SP-81
END FLANGE	DIN2543/ANSI B16.5
INSPECTION AND TEST	API 598

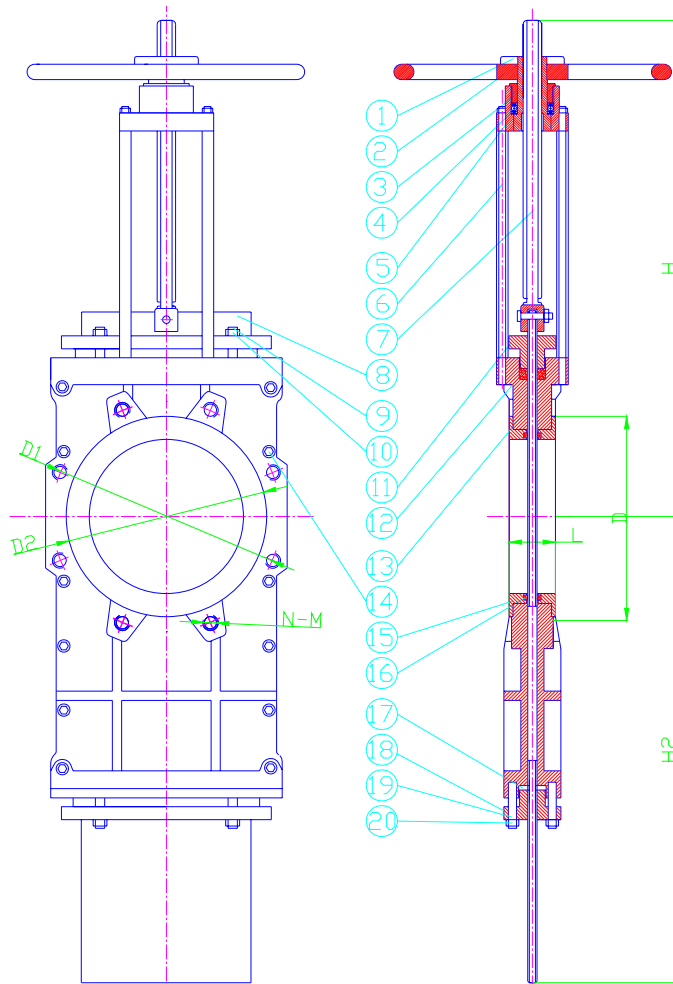
### TEST PRESSURE TO API 598:

PN	SHELL (WATER)		SEAT (WATER)		SEAT (AIR)	
10	1.5MPA	213PSI	1. 1MPA	156PSI	0.6MPA	80PSI

### PARTS AND MATERIAL (ASTM):

NO.	PART NAME	MATERIAL
1	H.W.NUT	CARBON STEEL
2	HANDWHEEL	CAST IRON
3	STEM NUT	ZcuZn38Mn2Pb2
4	BEARING	BRASS/D2
5	YOKE HOLDER	ASTM A216-WCB/A351-CF8/CF8M
6	YOKE	CARBON STEEL
7	STEM	ASTM A275-F6a/F304/F316
8	KNIFE	SS304/SS316
9	BOLT	ASTM A193-B7/A193-B8
10	NUT	ASTM A194-2H/A194-8
11	UPPER GLAND	ASTM A216-WCB/A351-CF8/CF8M
12	PACKING	GRAPHITE+PTFE
13	BODY	ASTM A216-WCB/A351-CF8/CF8M
14	BODY BOLT	ASTM A216-WCB/A351-CF8/CF8M
15	SEAL HOLDER	ASTM A216-WCB/A351-CF8/CF8M
16	SEAL RING	EPDM/NBR/PTFE
17	PACKING	GRAPHITE+PTFE
18	BOTTOM GLAND	ASTM A216-WCB/A351-CF8/CF8M
19	BOLT	ASTM A193-B7/A193-B8
20	NUT	ASTM A194-2H/A194-8

OTHER MATERIALS ARE AVAILABLE UPON REQUEST.

**DIMENSIONS LIST (UNIT:MM):**

DN	L	H	H2	DIN PN16				ANSI CL150			
				D	D1	D2	N-M	D	D1	D2	N-M
50	40	397	51	165	125	102	4-M16	152	120.7	92	4-M16
65	40	418	67	185	145	122	4-M16	178	139.4	105	4-M16
80	50	579	82	200	160	138	4-M16	190	152.4	127	4-M16
100	50	612	102	220	180	158	8-M19	229	190.5	157	8-M16
125	50	710	127	250	210	188	8-M19	254	215.9	186	8-M20
150	60	816	152	285	240	212	8-M20	280	241.3	216	8-M20
200	60	990	202	340	295	268	8-M20	343	298.5	270	8-M20
250	70	1106	253	405	355	320	12-M20	406	362	324	12-M22
300	70	1364	303	460	410	378	12-M20	483	431.8	381	12-M22
350	80	1575	353	520	470	438	16-M20	533	476.3	413	16-M27
400	80	1562	402	580	525	490	16-M22	597	539.8	470	16-M27
500	90	1994	502	715	650	610	20-M22	699	635	584	20-M30

We hereby reserve the rights of any alternative dimension that would help to improve our valve's quality and working efficiency.



**SHANGHAI CIPHY INDUSTRY CO.,LTD**

**7G-1 Building, N0.515 Yishan Rd.**

**Shanghai, China**

**TEL:+86-21-5497 5962**

**FAX:+86-21-5497 5963**

**HTTP://WWW.CIPHY.CN**

**CIPHY@CIPHY.COM**

**COPYRIGHT©2004-[CIPHY]**

**ALL RIGHTS RESERVED.**