

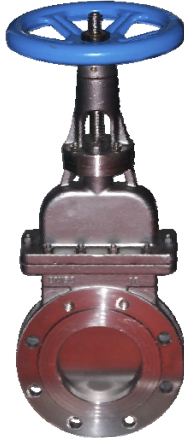
# SHANGHAI CIPHY INDUSTRY CO.,LTD.

## ANSI CLASS 150

### CARBON STEEL OR STAINLESS STEEL

### KNIFE GATE VALVE BOLTED BONNET DESIGN

**MODEL NO: SKAXRF-RS-BB**



#### KNIFE GATE VALVE PRODUCT'S SIZE:

| PRESSURE GRADE | FROM | TO  |
|----------------|------|-----|
| CLASS 150      | 2"   | 36" |

#### DESIGN DESCRIPTION:

- \* ONE-PIECE CAST STEEL BODY;
- \* BOLTED BONNET OUT STEM AND YOKE TYPE;
- \* INDUSTRY APPLICATION:  
PAPER, WATER, WASTEWATER,  
CHEMICAL, POWER, STEEL, MINING
- \* AVAILABLE WITH CHAIN, GEAR, ELECTRIC,  
AIR OR, HYDRAULIC ACTUATION.

#### WORKING PRESSURE AND TEMPERATURE

| MATERIAL        | CELSIUS SCALE                         | FAHRENHEIT                            |
|-----------------|---------------------------------------|---------------------------------------|
| DUCTILE IRON    | 0 <sup>0</sup> C ~100 <sup>0</sup> C  | 57 <sup>0</sup> F~237 <sup>0</sup> F  |
| CARBON STEEL    | -29 <sup>0</sup> C~425 <sup>0</sup> C | 6 <sup>0</sup> F~822 <sup>0</sup> F   |
| STAINLESS STEEL | -40 <sup>0</sup> C~550 <sup>0</sup> C | 15 <sup>0</sup> F~1047 <sup>0</sup> F |

#### GENERAL DESIGN SPECIFICATIONS:

|                              |                   |
|------------------------------|-------------------|
| ITEM                         | AMERICAN STANDARD |
| MANUFACTURE                  | FACTORY STANDARDS |
| PRESSURE-TEMPERATURE RATINGS | ANSI B16.34       |
| FACE TO FACE                 | MSS-SP-81         |
| END FLANGE                   | ANSI B16.5        |
| INSPECTION AND TEST          | API 598           |

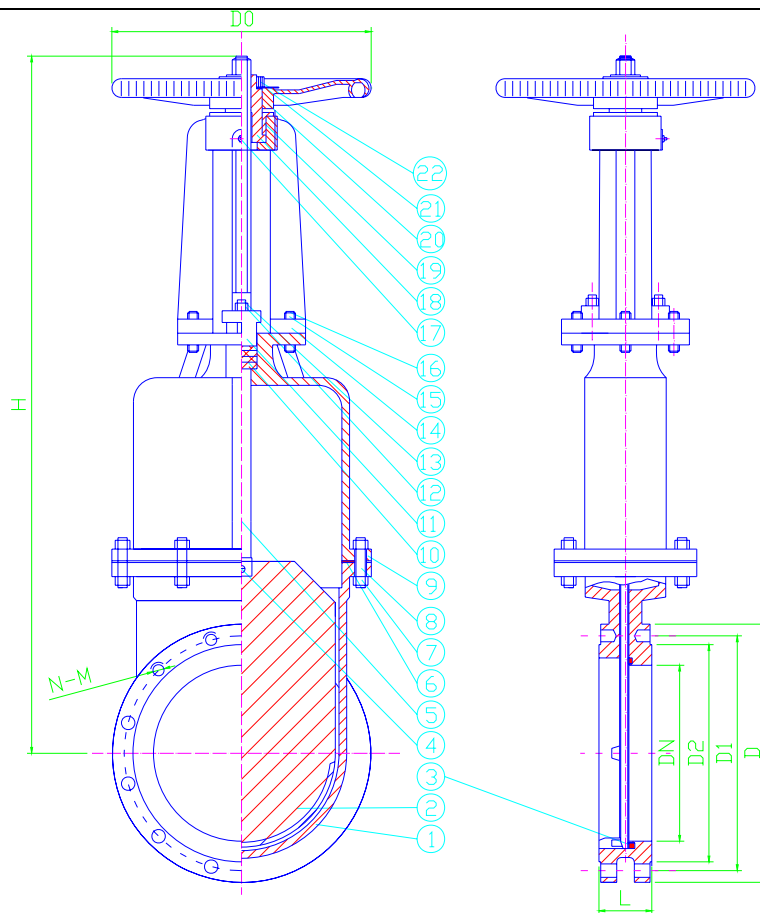
#### TEST PRESSURE TO API 598:

| CLASS | SHELL (WATER) |        | SEAT (WATER) |        | SEAT (AIR) |       |
|-------|---------------|--------|--------------|--------|------------|-------|
| 150   | 3.1MPA        | 450PSI | 2.2MPA       | 315PSI | 0.6MPA     | 80PSI |

#### PARTS AND MATERIAL (ASTM)

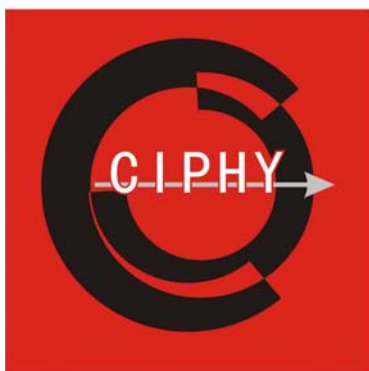
| NO. | PARTS NAME    | MATERIALS  |
|-----|---------------|--|
| 1   | BADY          | ASTM A216-WCB/A351-CF8/A351-CF8M/GGG-4 DUCTILE IRON  |
| 2   | DISC          | ASTM A351-CF8/A351-CF8M /CARBON STEEL                |
| 3   | SEAT          | NBR/EPDM/PTFE/S.S/CARBIDE ALLOY                      |
| 4   | DISC HOLDER   | STAINLESS STEEL                                      |
| 5   | STEM          | ASTEM SS410/SS304/SS316                              |
| 6   | GASKET        | PTFE/GRAPHITE  |
| 7   | BONNET BOLT   | ASTM A193-B7   |
| 8   | BONNET NUT    | ASTM A194-2H   |
| 9   | BONNET        | ASTM A216-WCB/ A351-CF8/A351-CF8M/GGG-4 DUCTILE IRON |
| 10  | STEM PACKING  | PTFE/GRAPHITE  |
| 11  | GLAND         | ASTM A216-WCB  |
| 12  | GLAND BOLT    | ASTM A193-B7   |
| 13  | GLAND NUT     | ASTM A194-2H   |
| 14  | YOKE          | ASTM A216-WCB/ A351-CF8/A351-CF8M/GGG-4 DUCTILE IRON |
| 15  | NUT           | ASTM A194-2H   |
| 16  | BOLT          | ASTM A193-B7   |
| 17  | LUBRICATOR    | STAINLESS STEEL/BRASS                                |
| 18  | STEM NUT      | BRASS  |
| 19  | RETAINER NUT  | STEEL  |
| 20  | HANDWHEEL     | CAST IRON  |
| 21  | NAME PLATE    | ALUMINIUM  |
| 22  | H.W. LOCK NUT | DUCTILE IRON   |

OTHER MATERIALS ARE AVAILABLE UPON REQUEST.


**DIMENSIONS LIST(UNIT:MM):**

| SIZE   | DN  | L   | D    | D1    | D2   | H    | D0  | N-M    |
|--------|-----|-----|------|-------|------|------|-----|--------|
| 2"     | 50  | 48  | 152  | 121   | 92   | 415  | 180 | 4-M16  |
| 2-1/2" | 65  | 48  | 178  | 139.5 | 105  | 445  | 180 | 4-M16  |
| 3"     | 80  | 51  | 191  | 152   | 127  | 497  | 220 | 4-M16  |
| 4"     | 100 | 51  | 229  | 191   | 157  | 575  | 220 | 8-M16  |
| 5"     | 125 | 57  | 254  | 216   | 186  | 635  | 230 | 8-M20  |
| 6"     | 150 | 57  | 279  | 241   | 216  | 775  | 280 | 8-M20  |
| 8"     | 200 | 70  | 343  | 298   | 278  | 940  | 360 | 8-M20  |
| 10"    | 250 | 70  | 406  | 362   | 324  | 1030 | 360 | 12-M22 |
| 12"    | 300 | 76  | 483  | 432   | 381  | 1186 | 400 | 12-M22 |
| 14"    | 350 | 76  | 533  | 476   | 413  | 1365 | 400 | 16-M27 |
| 16"    | 400 | 89  | 597  | 540   | 470  | 1550 | 400 | 16-M27 |
| 18"    | 450 | 89  | 635  | 578   | 533  | 1650 | 530 | 20-M30 |
| 20"    | 500 | 114 | 699  | 635   | 584  | 1860 | 530 | 20-M30 |
| 24"    | 600 | 114 | 813  | 750   | 692  | 2250 | 600 | 20-M33 |
| 30"    | 750 | 117 | 985  | 914   | 857  | 2800 | 600 | 28-M33 |
| 36"    | 900 | 117 | 1170 | 1086  | 1022 | 3650 | 8   | 32-M39 |

\* We hereby reserve the rights of any alternative dimension that would help to improve our valve's quality and working efficiency.



**SHANGHAI CIPHY INDUSTRY CO.,LTD**  
**7G-1 Building, N0.515 Yishan Rd.**  
**Shanghai, China**  
**TEL:+86-21-5497 5962**  
**FAX:+86-21-5497 5963**  
**HTTP://WWW.CIPHY.CN**  
**CIPHY@CIPHY.COM**  
**COPYRIGHT©2004-[CIPHY]**  
**ALL RIGHTS RESERVED.**