

SHANGHAI CIPHY INDUSTRY CO.,LTD.

ANSI CLASS 150 NON-RISING STEM CARBON STEEL OR STAINLESS STEEL KNIFE GATE VALVE BOLTED GLAND DESIGN

MODEL NO: SKAXRF-NRS



KNIFE GATE VALVE PRODUCT'S SIZE:

PRESSURE GRADE	FROM	TO
CLASS 150	2"	36"

DESIGN DESCRIPTION:

- * ONE-PIECE CAST STEEL BODY;
- * BOLTED GLAND, NON-RISING STEM;
- * INDUSTRY APPLICATION:
PAPER, WATER, WASTEWATER, CHEMICAL,
POWER, STEEL, MINING,
- * AVAILABLE WITH CHAIN, GEAR, ELECTRIC, AIR
OR, HYDRAULIC ACTUATION.

WORKING PRESSURE AND TEMPERATURE

WORKING TEMPERATURE		
MATERIAL	CELSIUS SCALE	FAHRENHEIT
DUCTILE IRON	0°C ~100°C	57°F~237°F
CARBON STEEL	-29°C~425°C	6°F~822°F
STAINLESS STEEL	-40°C~550°C	15°F~1047°F

GENERAL DESIGN SPECIFICATIONS:

ITEM	AMERICAN STANDARD
MANUFACTURE	API 6D OR API 600
PRESSURE-TEMPERATURE RATINGS	ANSI B16.34
FACE TO FACE	MSS-SP-81
END FLANGE	ANSI B16.5
INSPECTION AND TEST	API 598

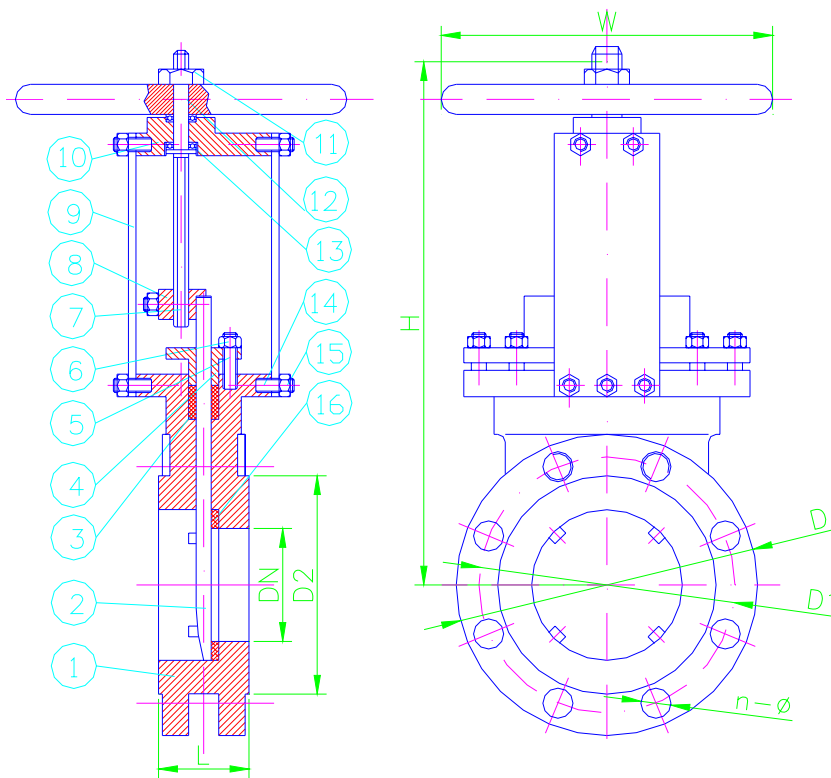
TEST PRESSURE TO API 598:

CLASS	SHELL (WATER)		SEAT (WATER)		SEAT (AIR)	
150	3.1MPA	450PSI	2.2MPA	315PSI	0.6MPA	80PSI

PARTS AND MATERIAL (ASTM):

NO.	PARTS NAME	MATERIALS
1	BADY	ASTM A216-WCB/A351-CF8/A351-CF8M/GGG-4 DUCTILE IRON
2	DISC	ASTM A351-CF8/A351-CF8M /CARBON STEEL
3	GLAND PACKING	PTFE/NBR/CARBIDE ALLOY/S.S.
4	GLAND	ASTM A216-WCB
5	BONNET BOLT	ASTM A193-B7
6	BONNET NUT	ASTM A194-2H
7	STEM	ASTEM SS304/SS316/CARBON STEEL
8	STEM NUT	BRASS/STAINLESS STEEL
9	YOKE PLATE	CARBON STEEL
10	YOKE RETAINER	ASTM A216-WCB/A351-CF8/A351-CF8M
11	H.W. LOCK NUT	CARBON STEEL
12	HANDWHEEL	CAST IRON
13	BEARING	BRING STEEL
14	YOKE PLATE BOLT	ASTM A193-B7
15	YOKE PLATE NUT	ASTM A194-2H
16	SEAT	NBR/PTFE/S.S/CARBIDE ALLOY

OTHER MATERIALS ARE AVAILABLE UPON REQUEST.

**DIMENSIONS LIST(UNIT:MM):**

SIZE	DN	L	H	W	D	D1	D2	n-Φ
2"	50	48	398	180	152	121	92	4-19
2-1/2"	65	48	415	180	178	139	105	4-19
3"	80	51	445	220	190	152	127	4-19
4"	100	51	497	220	229	191	157	8-19
5"	125	57	575	230	254	216	186	8-22
6"	150	57	635	280	279	241	216	8-22
8"	200	70	775	360	343	298	278	8-22
10"	250	70	940	360	406	362	324	12-25
12"	300	76	1030	400	483	432	381	12-25
14"	350	76	1186	400	533	476	413	12-28
16"	400	89	1365	400	597	540	470	16-28
18"	450	89	1620	530	635	578	533	16-32
20"	500	114	1720	530	699	635	584	20-32
24"	600	114	1860	600	813	749	692	20-35
30"	750	117	2250	600	887	846	813	44-22
36"	900	117	2800	800	1057	1009	972	44-26

* We hereby reserve the rights of any alternative dimension that would help to improve our valve's quality and working efficiency.



SHANGHAI CIPHY INDUSTRY CO.,LTD
7G-1 Building, N0.515 Yishan Rd.
Shanghai, China
TEL:+86-21-5497 5962
FAX:+86-21-5497 5963
HTTP://WWW.CIPHY.CN
CIPHY@CIPHY.COM
COPYRIGHT©2004-[CIPHY]
ALL RIGHTS RESERVED.