

SHANGHAI CIPHY INDUSTRY CO.,LTD.

ANSI CLASS 150

CARBON STEEL OR STAINLESS STEEL

KNIFE GATE VALVE BOLTED GLAND DESIGN

MODEL NO: SKAXLG-RS



KNIFE GATE VALVE PRODUCT'S SIZE:

PRESSURE GRADE	FROM	TO
CLASS 150	2"	14"

DESIGN DESCRIPTION:

- * ONE-PIECE CAST STEEL BODY;
- * LUG TYPE STRUCTURE;
- * BOLTED GLAND OUT STEM AND YOKE TYPE;
- * INDUSTRY APPLICATION:
PAPER, WATER, WASTEWATER,
CHEMICAL, POWER, STEEL, MINING;
- * AVAILABLE WITH CHAIN, GEAR, ELECTRIC, AIR
OR, HYDRAULIC ACTUATION.

WORKING PRESSURE AND TEMPERATURE

WORKING TEMPERATURE		
MATERIAL	CELSIUS SCALE	FAHRENHEIT
DUCTILE IRON	0°C ~100°C	57°F~237°F
CARBON STEEL	-29°C~425°C	6°F~822°F
STAINLESS STEEL	-40°C~550°C	15°F~1047°F

GENERAL DESIGN SPECIFICATIONS:

ITEM	AMERICAN STANDARD
MANUFACTURE	API 6D OR API 600
PRESSURE-TEMPERATURE RATINGS	ANSI B16.34
FACE TO FACE	ANSI B16.10
END FLANGE	MSS-SP-81
INSPECTION AND TEST	API 598

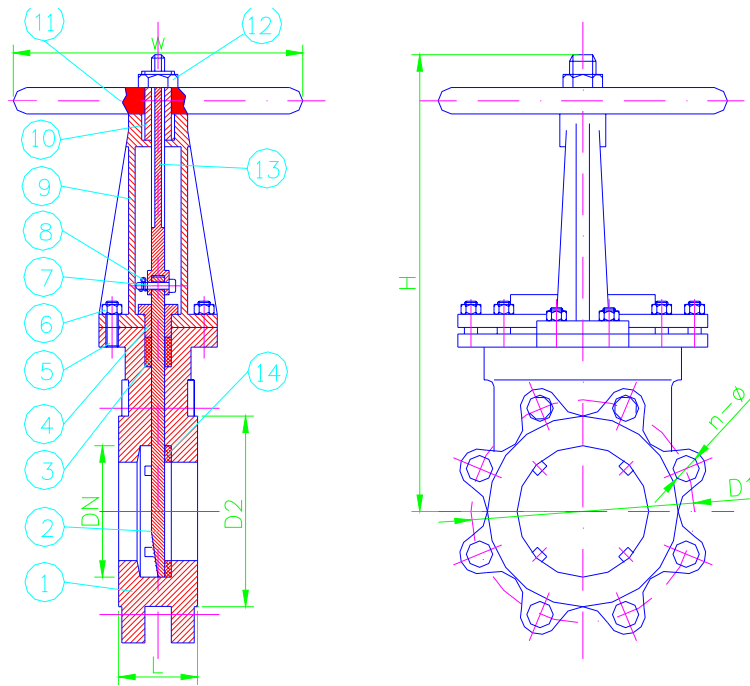
TEST PRESSURE TO API 598 OR BS 6755 PART 1

CLASS	SHELL (WATER)		SEAT (WATER)		SEAT (AIR)	
150	3.1MPA	450PSI	2.2MPA	315PSI	0.6MPA	80PSI

PARTS AND MATERIAL (ASTM)

NO.	PARTS NAME	MATERIALS
1	BADY	ASTM A216-WCB/A351-CF8/A351-CF8M/GGG-4 DUCTILE IRON
2	DISC	ASTM A351-CF8/A351-CF8M /CARBON STEEL
3	GLAND PACKING	PTFE/NBR/CARBIDE ALLOY/S.S.
4	GLAND	ASTM A216-WCB
5	BONNET BOLT	ASTM A193-B7
6	BONNET NUT	ASTM A194-2H
7	DISC BOLT	ASTM A193-B7
8	DISC HOLDER	CARBON STEEL
9	BONNET	ASTM A216-WCB/ A351-CF8/A351-CF8M/GGG-4 DUCTILE IRON
10	STEM NUT	BRASS
11	HANDWHEEL	CAST IRON
12	H.W. LOCK NUT	DUCTILE IRON
13	STEM	ASTEM SS304/SS316/CARBON STEEL
14	SEAT	NBR/PTFE/S.S/CARBIDE ALLOY

OTHER MATERIALS ARE AVAILABLE UPON REQUEST.


DIMENSIONS LIST(UNIT:MM):

SIZE	DN	L	D	D1	D2	H	W	n-φ(THREAD)	WEIGHT(KG)
2"	50	48	152	121	92	310	180	4-19	8.5
3"	80	51	191	152	127	340	220	4-19	13
4"	100	51	229	191	157	390	240	8-19	15
5"	125	57	254	216	186	420	240	8-22	23.5
6"	150	57	279	241	216	500	280	8-22	31
8"	200	70	343	298	278	560	320	8-22	40.7
10"	250	70	406	362	324	670	360	12-25	70
12"	300	76	483	432	381	850	360	12-25	107
14"	350	76	533	472	413	950	400	12-28	129

* We hereby reserve the rights of any alternative dimension that would help to improve our valve's quality and working efficiency.



SHANGHAI CIPHY INDUSTRY CO.,LTD
 7G-1 Building, N0.515 Yishan Rd.
 Shanghai, China
 TEL:+86-21-5497 5962
 FAX:+86-21-5497 5963
 HTTP://WWW.CIPHY.CN
 CIPHY@CIPHY.COM
 COPYRIGHT©2004-[CIPHY]
 ALL RIGHTS RESERVED.