

SHANGHAI CIPHY INDUSTRY CO.,LTD.

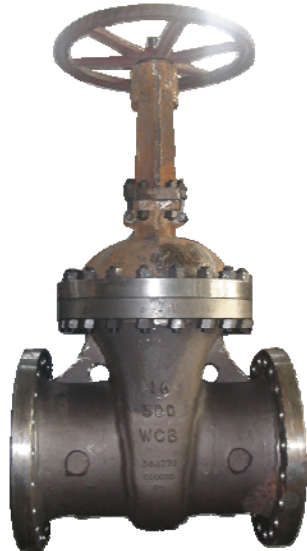
ANSI CLASS 300

CARBON STEEL OR STAINLESS STEEL

GATE VALVE BOLTED BONNET DESIGN

OS&Y RISING STEM

MODEL NO: SAA2RF-RS



GATE VALVE PRODUCT'S SIZE:

PRESSURE GRADE	FROM	TO
CLASS 300	2"	16"

DESIGN DESCRIPTION:

- * OUTSIDE SCREW AND YOKE;
- * BOLTED BONNET;
- * FLEXIBLE WEDGE, FULLY GUIDER;
- * INTEGRAL SEATS;
- * RISING STEM HANDWHEEL;
- * AVAILABLE WITH GEAR OPERATOR;
- * FLANGED ENDS OR BUTT-WELDING ENDS;
- * RISING FLANGE OR RING TYPE JOINT.

WORKING TEMPERATURE:

WORKING TEMPERATURE		
MATERIAL	CELSIUR SCALE	FAHRENHEIT
CARBON STEEL	-29 ⁰ C~425 ⁰ C	6 ⁰ F~822 ⁰ F
STAINLESS STEEL	-40 ⁰ C~550 ⁰ C	15 ⁰ F~1047 ⁰ F

GENERAL DESIGN SPECIFICATIONS:

ITEM	AMERICAN STANDARD	BRITISH STANDARD
MANUFACTURE	API 6D OR API 600	BS 1414
PRESSURE-TEMPERATURE RATINGS	ANSI B16.34	BS 1560
FACE TO FACE	ANSI B16.10	BS 2080
END TO END	ANSI B16.10	BS 2080
END FLANGE	ANSI B16.5	BS 1560
END BUTT-WELDING	ANSI B16.25	BS 1414
GASKET CONTACT	ANSI B16.5	BS 1560
INSPECTION AND TEST	API 598	BS 6755 PART 1

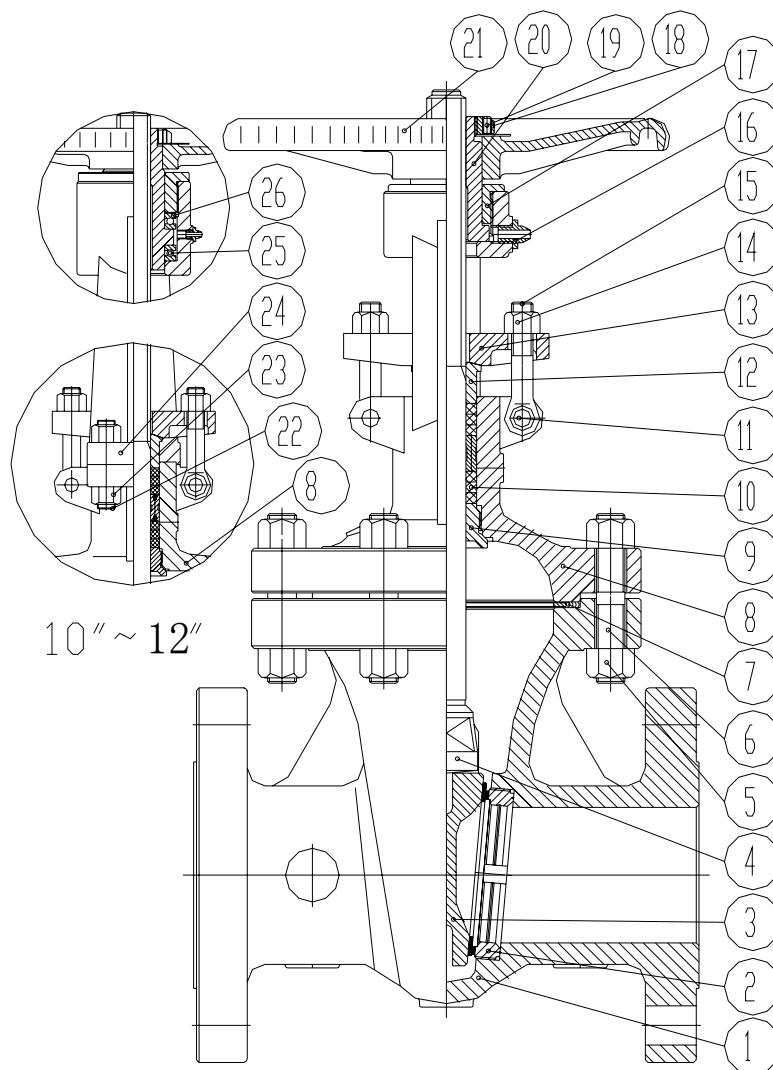
TEST PRESSURE TO API 598 OR BS 6755 PATRT 1

CLASS	SHELL (WATER)		SHELL (AIR)		SEAT (WATER)		SEAT (AIR)		BACK SEAT (WATER)	
300	7.8MPA	1125PSI	5.6MPA	815PSI	5.6MPA	815PSI	0.6MPA	80PSI	7.8MPA	1125PSI

TRIMS SPECITIED DUE TO TABLE 3:

DISC SEAT SURFACE PART NO.3	BODY SEAT SURFACE PART NO.2	STEM PART NO.4	BACKETSEAT PART NO.9
F6	F6	F6	F6
STELLITE	STELILITE	F6	F6
F6	STELILITE	F6	F6
304	304	F304	F304
316	316	F316	F316
304L	304L	F304L	F304L
316L	316L	F316L	F316L
MONEL	MONEL	MONEL	MONEL

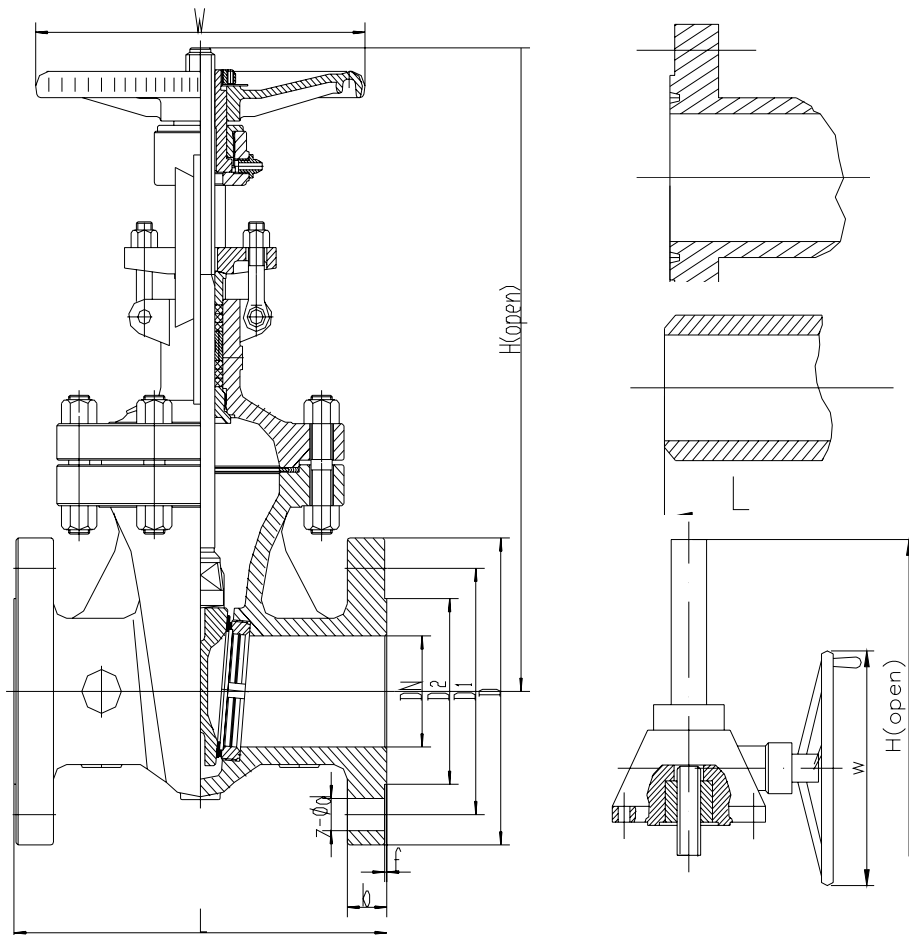
OTHER MATERIALS ARE AVAILABLE UPON REQUEST.



PARTS AND MATERIAL (ASTM)

NO	PARTS NAME	MATERIAL				
		A216-WCB	A351-CF8	A351-CF8M	A351-CF3	A351-CF3M
1	BODY	A216-WCB	A351-CF8	A351-CF8M	A351-CF3	A351-CF3M
5	BONNET BOLT NUT	A1942H	A1948	A1948	A1948	A1948
6	BONNET BOLT	A193B7	A193B8	A193B8	A193B8	A193B8
7	GASKET	REINFORCED FLAT GRAPHITE, OR SS SPIREAL WOUND W/GRAPHITE OR PTFE, OR REINFORCEPTFE				
8	BONNET	A216-WCB	A351-CF8	A351-CF8M	A351-CF3	A351-CF3M
10	STEM PACKING	BRAIDED GRAPITE OR DIEFORMED GRAPHITE RING OR PTFE				
11	EYE BOLT PIN	STEEL	ST. STEEL	ST. STEEL	ST. STEEL	ST. STEEL
12	GLAND	A182F6	SS304	SS316	SS304L	SS316L
13	GLAND FLANGE	A105	SS304	SS316	SS304L	SS316L
14	EYE BOLTED NUT	A1942H	A1948	A1948	A1948	A1948
15	EYE BOLT	A193B7	A193B8	A193B8	A193B8	A193B8
16	LUBRICATOR	STEEL				
17	RETAINER NUT	STEEL				
18	H.W.LOCK NUT	STEEL				
19	STOP BOLT	STEEL				
20	STEM NUT	A439-D2 OR A276-410				
21	HANDWHEEL	DUCTILE IRON				
22	YOKE BOLT	A193B7	A193B8	A193B8	A193B8	A193B8
23	YOKE BOLT NUT	A1942H	A1948	A1948	A1948	A1948
24	YOKE	A216-WCB	A351-CF8	A351-CF8M	A351-CF3	A351-CF3M
25	BOTTOM BEARING	STAINLESS STEEL				
26	UPPER BEARING	STAINLESS STEEL				

OTHER MATERIALS ARE AVAILABLE UPON REQUEST.



DIMENSIONS LIST (UNIT: MM):

50	2	2.1	8-1/2	9-1/8	6-1/2	5	3-5/8	7/8	8*3/4	7-7/8	16-1/2	29
65	2-1/2	2.1	9-1/2	10-1/8	7-1/2	5-7/8	4-1/8	1	8*7/8	7-7/8	18-1/2	37
80	3	2.1	11-1/8	11-3/4	8-1/4	6-5/8	5	1-1/8	8*7/8	10	21-1/8	49
100	4	2.1	12	12-5/8	10	7-7/8	6-3/16	1-1/4	8*7/8	11	24-3/8	69
150	6	2.1	15-7/8	16-1/2	12-1/2	10-5/8	8-1/2	1-7/16	12*7/8	13-3/4	31-3/4	137
200	8	2.1	16-1/2	17-1/8	15	13	10-5/8	1-5/8	12*1	15-3/4	39-1/8	235
250	10	2.1	18	18-5/8	17-1/2	15-1/4	12-3/4	1-7/8	16*1-1/8	17-3/4	47-3/8	315
300	12	2.1	19-3/4	20-3/8	20-1/2	17-3/4	15	2	16*1-1/4	19-3/4	55-3/4	460
350	14	2.1	30	30-5/8	23	20-1/4	16-1/4	2-1/8	20*1-1/4	23-1/2	64-1/2	650
400	16	2.1	33	33-5/8	25-1/2	22-1/2	18-1/2	2-1/4	20*1-3/8	26-1/2	75-1/2	950

* We hereby reserve the rights of any alternative dimension that would help to improve our valve's quality and working efficiency



SHANGHAI CIPHY INDUSTRY CO.,LTD
 7G-1 Building, N0.515 Yishan Rd.
 Shanghai, China
 TEL:+86-21-5497 5962
 FAX:+86-21-5497 5963
 HTTP://WWW.CIPHY.CN
 CIPHY@CIPHY.COM
 COPYRIGHT©2004-[CIPHY]
 ALL RIGHTS RESERVED.