

SHANGHAI CIPHY INDUSTRY CO.,LTD.

API 603 ANSI CLASS 150

STAINLESS STEEL

GATE VALVE BOLTED BONNET DESIGN

OS&Y RISING STEM

MODEL NO: SAA1RF-RS-603



GATE VALVE PRODUCT'S SIZE:

PRESSURE GRADE	FROM	TO
CLASS 150	1/2"	24"

DESIGN DESCRIPTION:

- * OUTSIDE SCREW AND YOKE;
- * BOLTED BONNET;
- * FLEXIBLE WEDGE, FULLY GUIDER;
- * INTEGRAL SEATS;
- * RISING STEM HANDWHEEL;
- * AVAILABLE WITH GEAR OPERATOR;
- * FLANGED ENDS OR BUTT-WELDING ENDS;
- * RISING FLANGE OR RING TYPE JOINT.

WORKING TEMPERATURE:

WORKING TEMPERATURE		
MATERIAL	CELSIUR SCALE	FAHRENHEIT
CARBON STEEL	-29 ⁰ C~425 ⁰ C	6 ⁰ F~822 ⁰ F
STAINLESS STEEL	-40 ⁰ C~550 ⁰ C	15 ⁰ F~1047 ⁰ F

GENERAL DESIGN SPECIFICATIONS:

ITEM	AMERICAN STANDARD
MANUFACTURE	API 603
PRESSURE-TEMPERATURE RATINGS	ANSI B16.34
FACE TO FACE	ANSI B16.10
END TO END	ANSI B16.10
END FLANGE	ANSI B16.5
INSPECTION AND TEST	API 598

TEST PRESSURE TO API 598 OR BS 6755 PATRT 1

CLASS	SHELL (WATER)		SHELL (AIR)		SEAT (WATER)		SEAT (AIR)		BACK SEAT (WATER)	
150	3.1MPA	450PSI	2.2MPA	315PSI	2.2MPA	315PSI	0.6MPA	80PSI	3.1MPA	450PSI

TRIMS SPECITIED DUE TO TABLE 3:

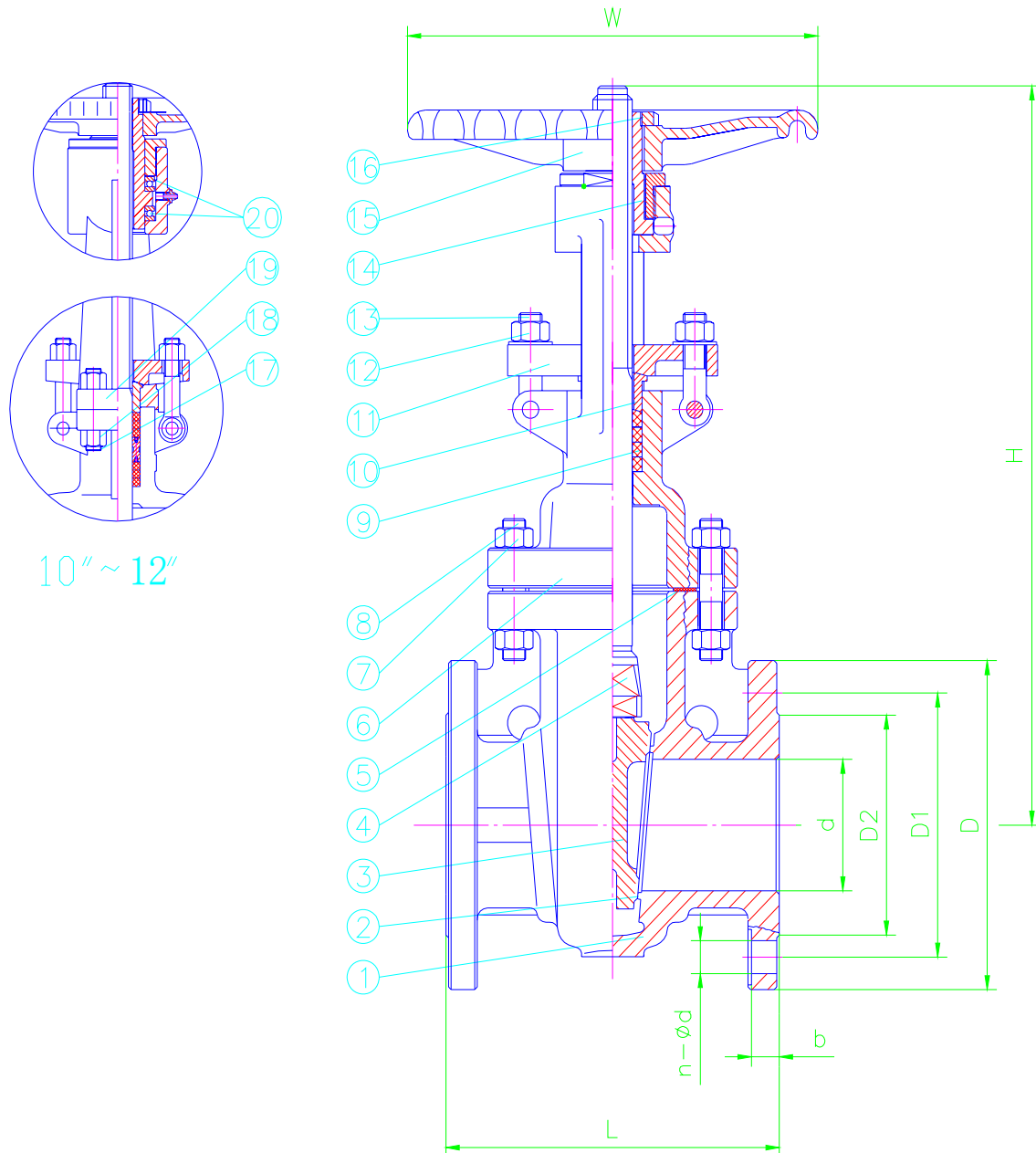
DISC SEAT SURFACE PART NO.3	BODY SEAT SURFACE PART NO.2	STEM PART NO.4
304	304	F304
316	316	F316
304L	304L	F304L
316L	316L	F316L

OTHER MATERIALS ARE AVAILABLE UPON REQUEST.

PARTS AND MATERIAL (ASTM)

NO	PARTS NAME	MATERIAL			
		A351-CF8	A351-CF8M	A351-CF3	A351-CF3M
1	BODY	A351-CF8	A351-CF8M	A351-CF3	A351-CF3M
5	GASKET	PTFE, OR RR-PTFE			
6	BONNET	A351-CF8	A351-CF8M	A351-CF3	A351-CF3M
7	BONNET BOLT NUT	A1948	A1948	A1948	A1948
8	BONNET BOLT	A193B8	A193B8	A193B8	A193B8
9	STEM PACKING	BRAIDED GRAPITE OR DIEFORMED GRAPHITE RING OR PTFE			
10	GLAND	SS304	SS316	SS304L	SS316L
11	GLAND FLANGE	SS304	SS316	SS304L	SS316L
12	EYE BOLT PIN	ST. STEEL	ST. STEEL	ST. STEEL	ST. STEEL
13	EYE BOLTED NUT	A1948	A1948	A1948	A1948
14	EYE BOLT	A193B8	A193B8	A193B8	A193B8
15	STEM NUT	A439-D2 OR A276-410			
16	HANDWHEEL	DUCTILE IRON			
17	YOKE BOLT	A193B8	A193B8	A193B8	A193B8
18	YOKE BOLT NUT	A1948	A1948	A1948	A1948
19	YOKE	A351-CF8	A351-CF8M	A351-CF3	A351-CF3M
20	BEARING	STAINLESS STEEL			

OTHER MATERIALS ARE AVAILABLE UPON REQUEST.



DIMENSIONS LIST (UNIT: Inch):

DN	NPS	F (MM)	L	d	D	D1	D2	b	Z*Φd	W	H (OPEN)
15	1/2	2.1	108	14	89	60.5	35	12	4-15	120	195
20	3/4	2.1	117	19	98	70	43	12	4-15	120	210
25	1	2.1	127	25	108	79.5	51	12	4-15	140	240
32	1-1/4	2.1	140	32	117	89	64	13	4-15	180	300
40	1-1/2	2.1	165	38	127	98.5	73	15	4-15	200	395
50	2	2.1	178	51	152	120.5	92	16	4-19	200	400
65	2-1/2	2.1	191	64	178	139.5	105	18	4-19	200	435
80	3	2.1	203	76	190	152.5	127	19	4-19	250	515
100	4	2.1	229	102	229	190.5	157	24	8-19	280	595
125	5	2.1	254	127	254	216	186	24	8-22	280	725
150	6	2.1	267	152	279	241.5	216	26	8-22	300	780
200	8	2.1	292	203	343	298.5	270	29	8-22	350	975
250	10	2.1	330	254	406	362	324	30	12-25	400	1150
300	12	2.1	356	305	483	431.8	381	32	12-25	450	1380
350	14	2.1	381	337	533	476.5	413	35	12-29	500	1545
400	16	2.1	406	387	597	539.5	470	37	16-29	500	1733
450	18	2.1	432	438	635	578	533	40	16-32	500	1915
500	20	2.1	457	489	699	635	584	43	20-32	600	2122
600	24	2.1	508	521	813	749.5	692	48	20-35	600	2520

*** We hereby reserve the rights of any alternative dimension that would help to improve our valve's quality and working efficiency**



SHANGHAI CIPHY INDUSTRY CO.,LTD
7G-1 Building, N0.515 Yishan Rd.
Shanghai, China
TEL:+86-21-5497 5962
FAX:+86-21-5497 5963
HTTP://WWW.CIPHY.CN
CIPHY@CIPHY.COM
COPYRIGHT©2004-[CIPHY]
ALL RIGHTS RESERVED.