

SHANGHAI CIPHY INDUSTRY CO.,LTD.

CLASS 125/JIS 10K

CAST IRON OR DUCTILE IRON

GATE VALVE BOLTED BONNET DESIGN

MODEL NO: IAJXRF-RS-A



GATE VALVE PRODUCT'S SIZE:

PRESSURE GRADE	FROM	TO
CLASS 125	1-1/2"	12"
JIS 10K	1-1/2"	12"

DESIGN DESCRIPTION:

- * BOLTED BONNET AND WELDING BONNET;
- * OUTSIDE SCREW AND YOKE FLEXIBLE WEDGE,
- * FULLY GUIDER;
- * INTEGRAL SEATS;
- * HANDWHEEL OPERATOR;
- * AVAILABLE WITH GEAR OPERATOR;
- * FLANGED ENDS

WORKING PRESSURE AND TEMPERATURE:

WORKING TEMPERATURE	
MATERIAL	CAST IRON
CELSIUR SCALE	0°C~100°C
FAHRENHEIT	58°F~212°F

GENERAL DESIGN SPECIFICATIONS:

ITEM	CLASS 125
MANUFACTURE	FACTORY STANDARDS
FACE TO FACE	ANSI B16.10
END FLANGE	ANSI B16.1
INSPECTION AND TEST	API 598

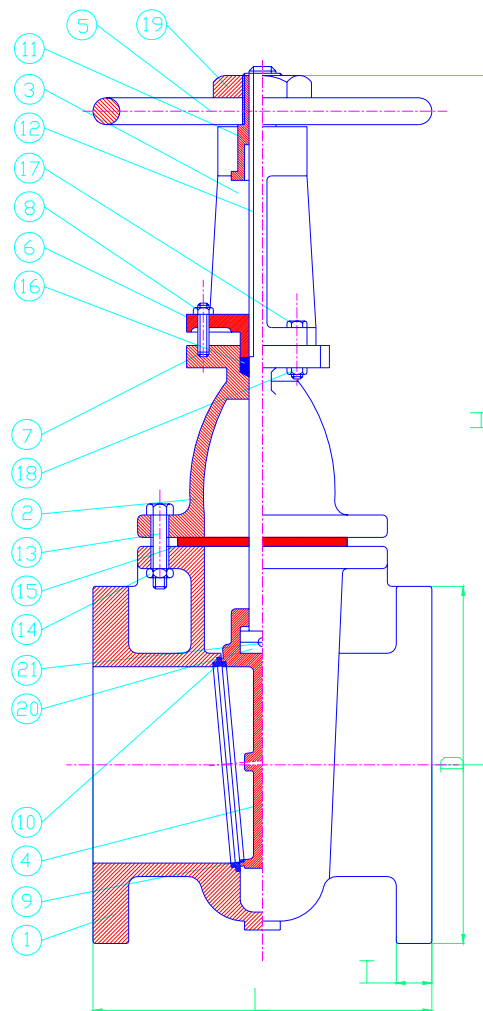
TEST PRESSURE TO API598:

CLASS	SHELL (WATER)		SEAT (WATER)		SEAT (AIR)		BACK SEAT(WATER)	
125	2.1MPA	300PSI	1.4MPA	200PSI	0.6MPA	80PSI	1.4MPA	200PSI

PARTS AND MATERIAL (ASTM):

NO.	PARTS NAME	MATERIAL	NO.	PARTS NAME	MATERIAL
1	BODY	ASTM A126 CLASS B	12	STEM	ASTM A267-410
2	BONNET	ASTM A126 CLASS B	13	BONNET BOLT	ASTM A107-1020
3	YOKE	ASTM A126 CLASS B	14	BONNET BOLT NUT	ASTM A107-1020
4	DISC	ASTM A126 CLASS B	15	GASKET	ASBESTOS JOINT SHEET
5	HANDWHEEL	ASTM A126 CLASS B	16	GLAND PACKING	ASBESTOS
6	GLAND	DUCTILE IRON	17	YOKE BOLT	ASTM A107-1020
7	GLAND STUD	ASTM A107-1020	18	YOKE BOLT NUT	ASTM A107-1020
8	GLAND STUD NUT	ASTM A107-1020	19	WHEEL NUT	ASTM A126 CLASS B
9	DISC SEAT RING	SS304	20	STEM PIN	ASTM A107-1020
10	BODY SEAT RING	SS304	21	STEM NUT	ASTM B62 ALLOY 836
11	YOKE SLEEVE	ASTM B62 ALLOY 836			

OTHER MATERIALS ARE AVAILABLE UPON REQUEST.



DIMENSIONS LIST(UNIT:MM):

SIZE	DN	D		L		H		T	
		10K	125BLS	10K	125BLS	10K	125BLS	10K	125BLS
1-1/2"	40	140	127	165	6.5"	245	10"	20	14.3
2"	50	155	152	180	7"	267	10.5"	20	15.9
2-1/2"	65	175	178	190	7.5"	280	11"	22	17.5
3"	75	185	190	200	8"	300	12"	22	19.1
4"	100	210	229	230	9"	405	16"	24	23.9
5"	125	250	254	250	10"	460	18"	24	23.9
6"	150	280	279	270	10.5"	560	22"	26	25.4
8"	200	330	343	290	11.5"	705	28"	26	28.6
10"	250	400	406	330	13"	880	35"	30	30.2
12"	300	445	483	350	14"	1100	44"	32	31.8

* We hereby reserve the rights of any alternative dimension that would help to improve our valve's quality and working efficiency



SHANGHAI CIPHY INDUSTRY CO.,LTD
 7G-1 Building, N0.515 Yishan Rd.
 Shanghai, China
 TEL:+86-21-5497 5962
 FAX:+86-21-5497 5963
 HTTP://WWW.CIPHY.CN
 CIPHY@CIPHY.COM
 COPYRIGHT©2004-[CIPHY]
 ALL RIGHTS RESERVED