

## CAST IRON OR DUCTILE IRON NON-RISING STEM GATE VALVE BOLTED BONNET



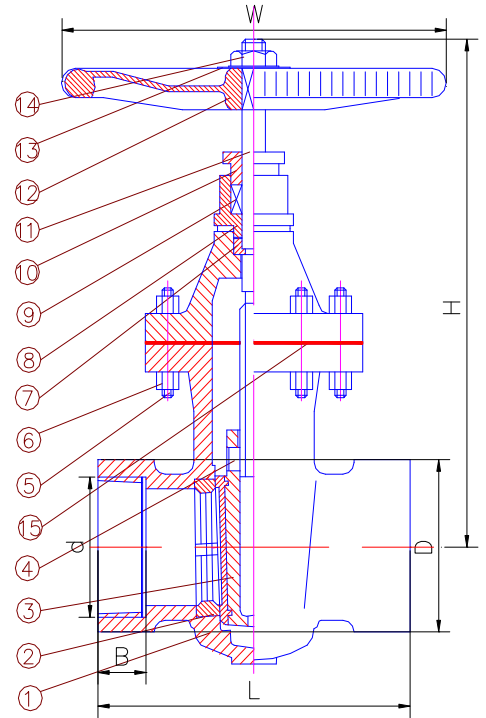
### DESIGN DESCRIPTION:

- Design: MSS SP-70;
- Manufacture: Factory STD;
- End To End: ANSI B16.10
- Thread: NPT,BSP&BSPT,DIN;
- Bolt Bonnet;
- Metal Seal;
- Material and Working Temp.:
  - ◆ Cast Iron and Ductile Iron: 0 °C-80 °C(32°F -176°F)
  - ◆ Brass/bronze Seal: 80 °C(176°F) Maximum
  - ◆ Stainless Steel Seal: 80 °C(176°F) Maximum

### PARTS AND MATERIAL:

NO.	PARTS NAME	MATERIALS
1	BODY	ASTM A126-B/A536,DIN GG25/GGG40
2	SEAT	BRONZE/BRONZE/STAINLESS STEEL
3	DISC FACE	BRONZE/BRONZE/STAINLESS STEEL
4	BONNET BOLT	CAST STEEL
5	BONNET	ASTM A126-B/A536,DIN GG25/GGG40
6	BONNET BOLT NUT	CAST STEEL
7	O-RING	EPDM
8	PACKING BOX	ASTM A126-B/A536,DIN GG25/GGG40
9	STEM PACKING	SOFT IRON
10	GLAND	ASTM A126-B/A536,DIN GG25/GGG40
11	STEM	2CR13/BRASS
12	HAND WHEEL	CAST IRON OR DUCTILE IRON
13	NAME PLATE	ALUMINUM
14	WHEEL NUT	CAST STEEL
15	GASKET	EPDM

OTHER MATERIALS ARE AVAILABLE UPON REQUEST.



### DIMENSIONS LIST(UNIT:MM):

SIZE	DN	d	H	W	L	B	D	NPT THREADS
2"	50	2"	280	178	178	45	90	2"
2-1/2"	65	2-1/2"	310	178	190	46	110	2-1/2"
3-1/4"	80	3-1/4"	340	203	203	50	123	3-1/2"
4"	100	4"	380	254	229	56	146	4"
5"	125	5"	450	254	254	58	170	5"
6"	150	6"	480	305	267	60	195	6"

✧ We hereby reserve the rights of any alternative dimension that would help to improve our valve's quality and working efficiency.