

SHANGHAI CIPHY INDUSTRY CO.,LTD.

ANSI CLASS 800 FOR FORGED CARBON STEEL OR STAINLESS STEEL GATE VALVE CRYOGENIC DESIGN

MODEL NO: FAAXTH-LT



CRYOGENIC GATE VALVE PRODUCT'S SIZE:

PRESSURE GRADE	FROM	TO
CLASS 800	1/2"	2"

DESIGN DESCRIPTION:

- * BOLTED BONNET O.S&Y TYPE
- * OPTIONAL: WELD BONNET O.S&Y TYPE
- * CONNECTRION: THREADED END, SOCKETED END
- * THREAD TYPE(NPT, BSPT, DIN ENDS)
- * MATERIAL: A105, F304, F316, F11, F22, F304L, F316L

WORKING PRESSURE AND TEMPERATURE:

WORKING TEMPERATURE		
MATERIAL	CELSIUR SCALE	FAHRENHEIT
CARBON STEEL	-29 ⁰ C~425 ⁰ C	6 ⁰ F~822 ⁰ F
STAINLESS STEEL	-40 ⁰ C~550 ⁰ C	15 ⁰ F~1047 ⁰ F

GENERAL DESIGN SPECIFICATIONS:

ITEM	CLASS 600
MANUFACTURE	API 602
PRESSURE-TEMPERATURE RATINGS	ANSI B16.34
END TO END	ANSI B16.10
INSPECTION AND TEST	API 598

TEST PRESSURE TO API598:

ANSI	SHELL (WATER)		SEAT (WATER)		SEAT (AIR)		BACK SEAT (WATER)	
CLASS 800	21.1MPA	3000PSI	15.5MPA	2200PSI	0.6MPA	80PSI	15.5MPA	2200PSI

TRIMS SPECITIED DUE TO TABLE 3:

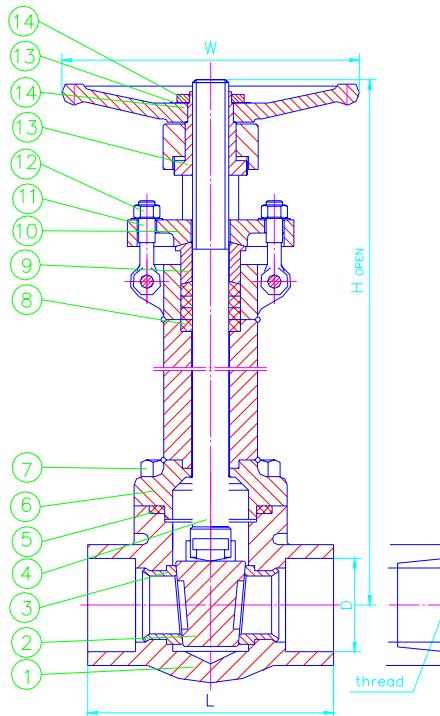
DISC SEAT SURFACE PART NO.2	BODY SEAT SURFACE PART NO.3	STEM PART NO.4
F6	F6	F6
STELLITE	STELLITE	F6
F6	STELLITE	F6
F304	F304	F304
F316	F316	F316
MONEL	MONEL	MONEL
ALLOY 20	ALLOY 20	ALLOY 20
HASTELLOY B	HASTELLOY B	HASTELLOY B

OTHER MATERIALS ARE AVAILABLE UPON REQUEST.

PARTS AND MATERIAL (ASTM)

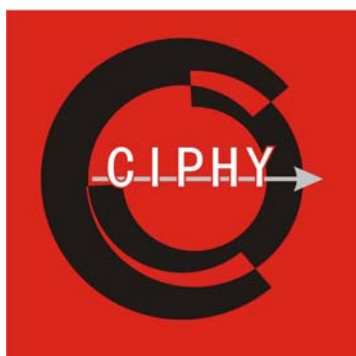
NO.	PARTS NAME	MATERIALS				
		ASTM A105	ASTM F304	ASTM F316	ASTM F304L	ASTM F316L
1	BODY	ASTM A105	ASTM F304	ASTM F316	ASTM F304L	ASTM F316L
5	GASKET	GRAPHITE+304		GRAPHITE+316		
6	BONNET	ASTM A105	ASTM F304	ASTM F316	ASTM F304L	ASTM F316L
7	BONNET BLOT	ASTM A193 B7	ASTM A193 B7			
8	STEM PACKING	RAINFORCED GROPHITE				
9	GLAND	ASTM A276 410	ASTM F304L	ASTM F316L	ASTM F304L	ASTM F316L
10	GLAND FLANGE	ASTM A105	ASTM F304	ASTM F316	ASTM F316	ASTM F316
11	GLAND EYEBOLT	ASTM A193 B7	ASTM A193 B8			
12	GLAND NUT	ASTM A194 2H	ASTM A194 B8			
13	STEM NUT	ASTM A276 410	ZcuAl10Fe3			
14	HANDWHEEL	ASTM A197				
15	NAME PLATE	STAINLESS STEEL				
16	H.W.LOCK NUT	STELL				

OTHER MATERIALS ARE AVAILABLE UPON REQUEST.

**DIMENSIONS LIST(UNIT:MM):**

DN	SIZE	D	NPT	H (OPEN)			L	W
				≥-60℃	≥-100℃	<-100℃		
15	1/2"	10	1/2"	265	276	296	79	100
20	3/4"	12.7	3/4"	269	279	309	92	100
25	1"	18	1"	293	313	343	111	125
40	1-1/2"	28.5	1-1/2"	356	376	406	120	160
50	2"	36	2"	393	413	453	140	180

*** We hereby reserve the rights of any alternative dimension that would help to improve our valve's quality and working efficiency**



SHANGHAI CIPHY INDUSTRY CO.,LTD
7G-1 Building, N0.515 Yishan Rd.
Shanghai, China
TEL:+86-21-5497 5962
FAX:+86-21-5497 5963
HTTP://WWW.CIPHY.CN
CIPHY@CIPHY.COM
COPYRIGHT©2004-[CIPHY]
ALL RIGHTS RESERVED.