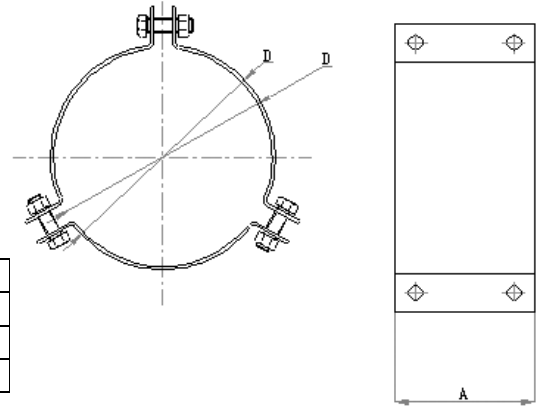


STAINLESS STEEL LEAK REPAIR CLAMP

DESIGN DESCRIPTION:

- Design: Manufactory STD;
- Manufacture: Factory STD;
- PIPE: ANSI B16.9, DIN 2605, JIS B2311;
- Soft seal;
- Stainless Steel Shell;
- Working Press. and Working Temp.:
 - ◆ DN40-DN200(1-1/2"~8"):1.0Mpa Max
 - ◆ DN250-DN350(10"~14"):0.6Mpa Max
 - ◆ DN400-DN500(10"~14"):0.2Mpa Max
 - ◆ Buna-N: -10℃-71℃(160°F)
 - ◆ EPDM: -10℃-80℃(176°F)



PARTS AND MATERIAL:

NO.	PARTS NAME	MATERIALS
1	SHELL	SS304
2	BOLT & NUT	STAINLESS STEEL OR CARBON STEEL
3	SEAL RING	NBR/EDPM

OTHER MATERIALS ARE AVAILABLE UPON REQUEST.

DIMENSIONS LIST(UNIT:MM):

ND (inch)	Pipe outside diameter (mm)	RANGE (mm)	Operation pressure(Mpa)	Length (MM)		
				Shorter	Medium	Larger
1	32	31-33	2.5	80, 150		
1-1/4	42	41-43	2.5	80, 150		
1-1/2	48	47-49	2.5	80, 150		
1-3/4	50	49-51	2.5	80, 150		
2	60	59-61	2.5	80, 150		
2-1/2	76	74-78	2.5	80, 150		
3	89	87-91	2.5	80, 150		
3-1/2	104	102-106	2	80, 150	300	
4	114	112-116	2	150	300	
4-1/2	133	131-135	2	150	300	
5	140	137-143	1.8	150	300	
5-1/2	159	156-162	1.8	150	300	
6	168	165-171	1.8	150	300	
7	178	175-181	1.6	150	300	
8	219	214-224	1.6	150	300	
10	273	268-278	1.6	150	300	500
12	325	320-330	1.4	150	300	500
14	355	372-382	1.4	150	300	500
16	406	401-412	1.4	150	300	500
18	457	452-463	1.2	150	300	500
20	508	503-514	1.2	150	300	500

✧ We hereby reserve the rights of any alternative dimension that would help to improve our valve's quality and working efficiency.