

# SHANGHAI CIPHY INDUSTRY LTD.,CO.

## ANSI CLASS 150/300/600/900

### CARBON STEEL OR STAINLESS STEEL

### WAFER TYPE SWING CHECK VALVE

**MODEL NO: SCAXWF-000**



#### **WAFER SWING CHECK VALVE PRODUCT'S SIZE:**

PRESSURE GRADE	FROM	TO
CLASS 150	2"	48"
CLASS 300	2"	48"
CLASS 600	2"	24"
CLASS 900	2"	24"
CLASS 1500	2"	16"

#### **DESIGN DESCRIPTION:**

- \* **DOUBLE DISCS**
- \* **SWING TYPE**
- \* **WAFER CONNECTION TYPE**

#### **WORKING PRESSURE AND TEMPERATURE**

WORKING TEMPERATURE		
MATERIAL	CELSIUR SCALE	FAHRENHEIT
CARBON STEEL	-290C~4250C	60F~8220F
STAINLESS STEEL	-400C~5500C	150F~10470F

#### **GENERAL DESIGN SPECIFICATIONS:**

ITEM	AMERICAN STANDARD
MANUFACTURE	API 6D OR API 594
PRESSURE-TEMPERATURE RATINGS	ANSI B16.34
INSPECTION AND TEST	API 598

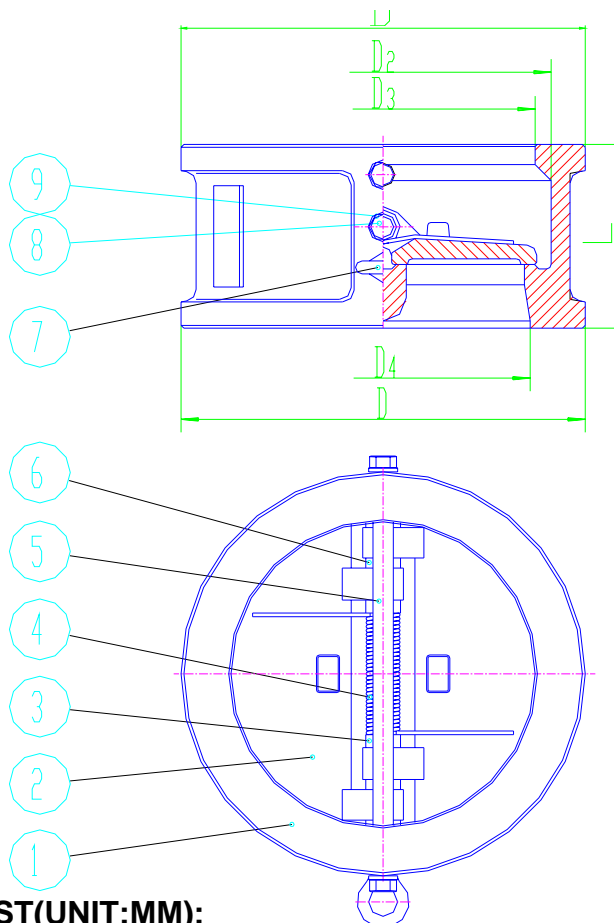
#### **TEST PRESSURE TO API 598 OR BS 6755 PATRT 1**

CLASS	SHELL (WATER)		SHELL (AIR)		SEAT (WATER)		SEAT (AIR)		BACK SEAT(WATER)	
150	3.1MPA	450PSI	2.2MPA	315PSI	2.2MPA	315PSI	0.6MPA	80PSI	3.1MPA	450PSI
300	7.8MPA	1125PSI	5.6MPA	815PSI	5.6MPA	815PSI	0.6MPA	80PSI	7.8MPA	1125PSI
600	15.3MPA	2225PSI	11.2MPA	1630PSI	11.2MPA	1630PSI	0.6MPA	80PSI	15.3MPA	2225PSI

#### **PARTS AND MATERIAL (ASTM)**

NO	PARTS NAME	MATERIAL
1	BODY	A216-WCB,A351 CF8, A216 WCB, A351 CF8M, A351 CF3M
2	DISC	A216-WCB,A351 CF8, A216 WCB, A351 CF8M, A351 CF3M
3	SPRING HOLDER	A182 F304L, A216 WCB
4	SPRING	INCONEL-750, A351 CF8, A351 CF8M
5	STEM	F6a, F304,F316,F304L, F316L
6	PLATE-LUG BEARING	A182 F304L
7	BOLT	CARBON STEEL
8	RETAINER	A182 F304L
9	GASKET	A182 F304L

OTHER MATERIALS ARE AVAILABLE UPON REQUEST

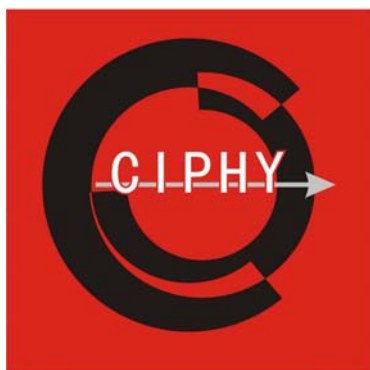


**DIMENSIONS LIST(UNIT:MM):**

	NPS	DN	L	D	D3	D4	weight (kg)
CLASS150	2	50	60	103	56	51	2
	2-1/2	65	67	122	73	65	3
	3	80	73	135	88	80	4
	4	100	73	173	108	102	6
	5	125	86	195	132	127	8
	6	150	98	220	160	152	13
	8	200	127	277	210	203	25
	10	250	146	337	266	254	39
	12	300	181	407	310	305	54
	14	350	184	448	355	350	80
	16	400	191	512	405	400	117
	18	450	203	547	455	450	138
	20	500	219	604	505	500	163
	24	600	222	715	605	600	331
	28	700	305	773	700	700	380
	30	750	305	824	750	746	425
	32	800	305	878	800	796	560
36	900	368	983	910	898	640	
42	1050	432	1142	1055	1050	960	
48	1200	524	1302	1205	1200	1400	
CLASS300	2	50	60	110	58	51	3
	2-1/2	65	67	128	73	65	4
	3	80	73	147	88	80	6
	4	100	73	179	108	102	8
	5	125	86	214	132	127	15
	6	150	98	249	160	152	18
	8	200	127	305	210	203	31
	10	250	146	359	266	254	51
	12	300	181	420	310	305	77
	14	350	222	483	355	350	117
	16	400	323	537	405	400	190
18	450	264	594	455	450	200	
20	500	292	652	505	500	265	

	24	600	318	772	608	600	410
	30	750	368	882	740	735	660
	36	900	483	1044	880	873	1020
	42	1050	568	1196	1045	1035	1540
	48	1200	629	1365	1190	1179	2260
CLASS600	2	50	60	110	58	51	4
	2-1/2	65	67	128	73	65	5
	3	80	73	147	88	80	8
	4	100	79	191	108	102	11
	5	125	105	239	136	127	20
	6	150	136	264	162	152	26
	8	200	165	318	212	200	55
	10	250	213	398	266	250	95
	12	300	229	455	312	305	140
	14	350	273	490	355	337	223
	16	400	305	562	400	387	360
	18	450	362	610	450	438	395
	20	500	368	680	500	489	518
	24	600	438	786	600	591	836
CLASS900	2	50	70	140	58	51	8
	2-1/2	65	83	162	73	65	11
	3	80	83	165	90	80	14
	4	100	102	204	108	102	20
	5	125	110	245	136	127	30
	6	150	159	286	162	150	42
	8	200	206	356	212	200	84
	10	250	241	432	266	250	145
	12	300	292	495	312	305	220
	14	350	356	518	355	337	350
	16	400	384	572	400	387	470
	18	450	451	635	450	438	605
	20	500	451	695	496	487	820
	24	600	495	835	600	591	1050
CLASS1500	2	50	70	140	58	51	8
	2-1/2	65	83	162	73	65	11
	3	80	83	172	90	80	19
	4	100	102	207	108	102	26
	5	125	110	252	136	127	51
	6	150	159	280	162	150	68
	8	200	206	350	212	200	130
	10	250	248	433	266	254	210
	12	300	305	518	312	305	384
	14	350	356	576	355	337	550
16	400	384	639	400	387	635	

**\* We hereby reserve the rights of any alternative dimension that would help to improve our valve's quality and working efficiency**



**SHANGHAI CIPHY INDUSTRY CO.,LTD**  
**7G-1 Building, N0.515 Yishan Rd.**  
**Shanghai, China**  
**TEL:+86-21-5497 5962**  
**FAX:+86-21-5497 5963**  
**HTTP://WWW.CIPHY.CN**  
**CIPHY@CIPHY.COM**  
**COPYRIGHT©2004-[CIPHY]**  
**ALL RIGHTS RESERVED.**