

# SHANGHAI CIPHY INDUSTRY CO.,LTD.

## BS5153 PN10/PN16

### CAST IRON OR DUCTILE IRON

### SWING CHECK VALVE BOLTED COVER DESIGN

**MODEL NO: ICBXRF-SW-5153**



#### **SWING CHECK VALVE PRODUCT'S SIZE:**

PRESSURE GRADE	FROM	TO
BS PN10	2"	12"

#### **DESIGN DESCRIPTION:**

- \* BOLTED COVER;
- \* FULLY GUIDER;
- \* INTEGRAL SEAT;
- \* FLANGED ENDS

#### **WORKING PRESSURE AND TEMPERATURE:**

WORKING TEMPERATURE	
MATERIAL	CAST IRON
CELSIUR SCALE	0°C~120°C
FAHRENHEIT	58°F~273°F

#### **GENERAL DESIGN SPECIFICATIONS:**

ITEM	BS PN10
MANUFACTURE	FACTORY STANDARDS
FACE TO FACE	BS 5153
END FLANGE	BS 4504 OR TALBE E OR D
INSPECTION AND TEST	BS 6755 PATRT 1

#### **TEST PRESSURE TO BS 6755 PATRT 1:**

BS PN	SHELL (WATER)	SEAT (WATER)
10	1.5MPA	1.1MPA

#### **TRIMS SPECITIED DUE TO TABLE 3:**

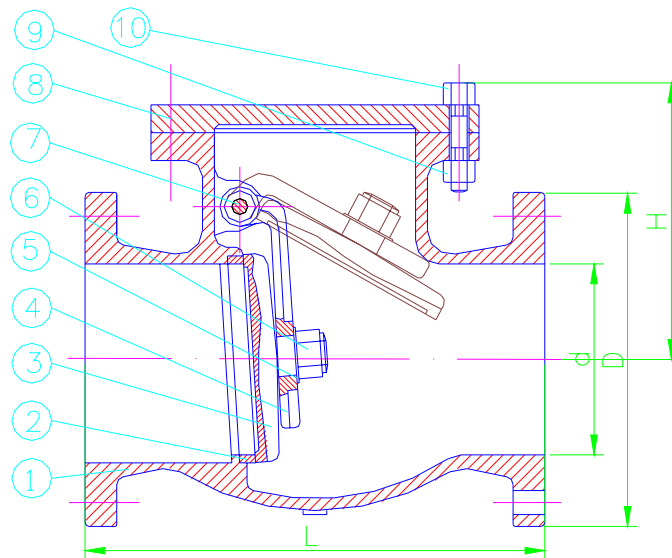
DISC PART NO.3	BODY SEAT SURFACE PART NO.2	PIN PART NO.7
BRASS	BRASS	2CR13
BRONZE	BRONZE	2CR13
SS304	SS304	2CR13

OTHER MATERIALS ARE AVAILABLE UPON REQUEST.

#### **PARTS AND MATERIAL (ASTM):**

NO	PARTS NAME	MATERIALS
1	BODY	CAST IRON OR DUCTILE IRON
4	SWING ARM	CAST IRON OR DUCTILE IRON
5	O-RING	CARBON STEEL
6	DISC NUT	CARBON STEEL
8	COVER	CAST IRON OR DUCTILE IRON
9	COVER STUD	CARBON STEEL
10	COVER NUT	CARBON STEEL

OTHER MATERIALS ARE AVAILABLE UPON REQUEST.



### **DIMENSIONS LIST(UNIT:MM):**

SIZE	DN	d	H	L	D
1-1/2"	40	1-1/2"	5"	6-1/2"	6"
2"	50	2"	5-1/8"	8"	6-1/2"
2-1/2"	65	2-1/2"	5-1/3"	8-1/2"	7-3/10"
3"	80	3-1/4"	6"	9-1/2"	7-9/10"
4"	100	4"	7-1/3"	11-1/2"	8-7/10"
5"	125	5"	7-3/4"	13"	10"
6"	150	6"	9-1/5"	14"	11"
8"	200	8"	11-1/4"	19-1/2"	13-4/5"
10"	250	10"	12"	24-1/2"	15-1/2"
12"	300	12"	13-7/8"	27-1/2"	17-1/2"
14"	350	14"	15-7/8"	31"	

**\* We hereby reserve the rights of any alternative dimension that would help to improve our valve's quality and working efficiency**



**SHANGHAI CIPHY INDUSTRY CO.,LTD**  
**7G-1 Building, N0.515 Yishan Rd.**  
**Shanghai, China**  
**TEL:+86-21-5497 5962**  
**FAX:+86-21-5497 5963**  
**HTTP://WWW.CIPHY.CN**  
**CIPHY@CIPHY.COM**  
**COPYRIGHT©2004-[CIPHY]**  
**ALL RIGHTS RESERVED.**