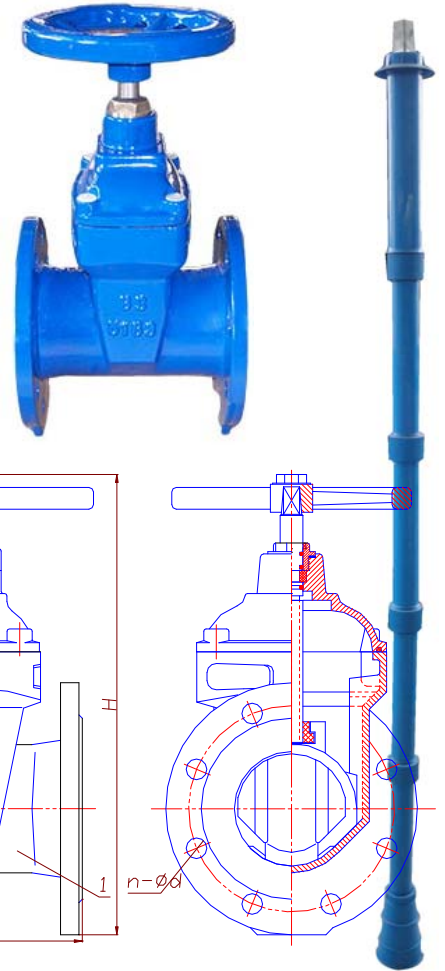


**CAST IRON OR DUCTILE IRON
NON-RISING STEM GATE VALVE BOLTED BONNET**

DESIGN DESCRIPTION:

- Design: BS5163;
- Manufacture: Factory STD;
- Face To Face: BS5163
- Flange: BS4504, BS10/16 D/E;
- Bolt Bonnet;
- Soft Seal;
- Material and Working Temp.:
 - ◆ Cast Iron and Ductile Iron: 0 °C-200 °C(32 °F-392 °F)
 - ◆ Buna-N: 71 °C(160°F) Maximum
 - ◆ EPDM: 80 °C(176°F) Maximum



PARTS AND MATERIAL:

NO.	PARTS NAME	MATERIALS
1	BODY	ASTM A126-B/A536,DIN GG25/GGG40
2	DISC	Ductile iron with NBR/EPDM
3	STEM NUT	BRASS
4	STEM	2CR13/BRASS
5	BONNET	ASTM A126-B/A536,DIN GG25/GGG40
6	O-RING	EPDM
7	MATEL O-RING	CAST STEEL
8	O-RING	EPDM
9	GLAND	ASTM A126-B/A536,DIN GG25/GGG40
10	HAND WHEEL	CAST IRON OR DUCTILE IRON

OTHER MATERIALS ARE AVAILABLE UPON REQUEST.

DIMENSIONS LIST(UNIT:MM):

DN	40	50	65	80	100	125	150	200	250	300	350	400	450	500	600
L	165	178	190	203	229	254	267	292	330	356	381	406	432	457	508
H	321	326	351	384	418	460	506	597	692	770	851	933	1026	1114	1268
PN10															
D	150	165	185	200	220	250	285	340	395	445	505	565	615	670	780
n	4	4	4	4	8	8	8	8	12	12	16	16	20	20	20
d	19	19	19	19	19	19	23	23	23	23	23	27	26	27	30
D1	110	125	145	160	180	210	240	295	350	400	460	515	565	620	725
PN16															
D	150	165	185	200	220	250	285	340	400	455	520	580	640	715	770
n	4	4	4	8	8	8	8	12	12	12	16	16	20	20	20
d	19	19	19	19	19	19	23	23	28	28	28	31	31	34	37
D1	110	125	145	160	180	210	240	295	355	410	470	525	585	650	770

✧ We hereby reserve the rights of any alternative dimension that would help to improve our valve's quality and working efficiency.