

# SHANGHAI CIPHY INDUSTRY LTD.,CO.

## DIN PN16/25 TRIPLE ECCENTRIC TYPE CARBON STEEL OR STAINLESS STEEL BUTTERFLY VALVE WAFER ENDS

**MODEL NO: SFDXWF-3ML**



### BUTTERFLY VALVE PRODUCT'S SIZE:

PRESSURE GRADE	FROM	TO
PN16	4"	36"
PN25	4"	36"

### DESIGN DESCRIPTION:

- \* CAST STEEL BUTTERFLY VALVE PN16/25
- \* TRIPLE ECCENTRIC TYPE.
- \* MULTILAYER DISC SEAL IN STAINLESS STEEL+GRAPHITE
- \* AVAILABLE PTFE SEAL
- \* METAL SEAT FACING.
- \* CONNECTION: WAFER CONNECTION.

### WORKING PRESSURE AND TEMPERATURE

WORKING TEMPERATURE	
MATERIAL	CELSIUR SCALE
CARBON STEEL	-29°C~220°C
STAINLESS STEEL	-40°C~220°C

### GENERAL DESIGN SPECIFICATIONS:

ITEM	GERMANY STANDARD
MANUFACTURE	DIN3202
PRESSURE-TEMPERATURE RATINGS	ANSI B16.34
FACE TO FACE	DIN 3202 K3
END WAFER	CUSTOMER STD
INSPECTION AND TEST	DIN3230 OR API598

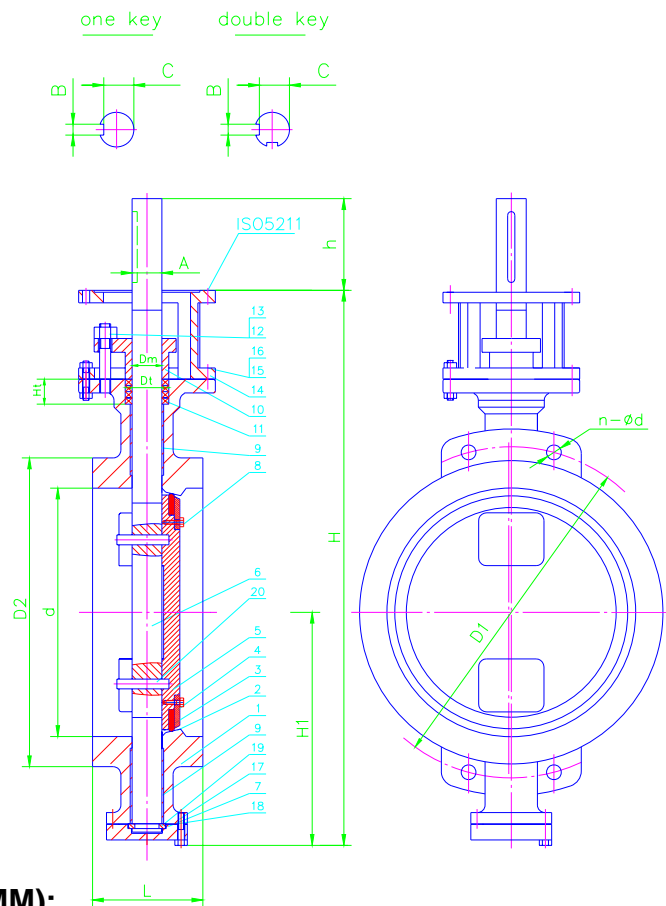
### TEST PRESSURE TO API 598

DIN	SHELL (WATER)	SEAT (WATER)	SEAT (AIR)
PN16	2.4MPA	2.64MPA	0.6MPA
PN25	3.6MPA	3.96MPA	0.6MPA

### PARTS AND MATERIAL (ASTM)

NO.	PART NAME	MATERIAL
1	BODY	ASTM A216-WCB/A351-CF8/CF8M
2	SEAL FACING	13CR/SS304/SS316
3	SEAL RING	SS304+GRAPHITE/SS316+GRAPHITE
4	RETAINING RING	ASTM A105/A182-F304/F316
5	DISC	ASTM A216-WCB/A351-CF8/CF8M
6	SHAFT	A182-F6a/F304/F316
7	BOTTOM COVER	ASTM A105/A182-F304/F316
8	CAP SCREW	ASTM A1894-B8/B8M
9	STEM BEARING	STEEL LINING PTFE
10	PACKING FLANGE	ASTM A216-WCB/A351-CF8/CF8M
11	PACKING RING	GRAPHITE
12	GLAND BOLT	CARBON STEEL
13	GLAND NUT	CARBON STEEL
14	YOKE	CARBON STEEL
15	YOKE BOLT	CARBON STEEL
16	YOKE NUT	CARBON STEEL
17	COVER STUD	CARBON STEEL
18	COVER GASKET	GRAPHITE
19	THRUST BEARING	ASTM A276-410
20	DISC PIN	ASTM A276-410
21	GASKET	GRAPHITE

OTHER MATERIALS ARE AVAILABLE UPON REQUEST.

**DIMENSIONS LIST (UNIT:MM):**

DN	d	D1	D2	n-d	L	H	H1	h	ISO5211	A	B	C	Dt	Dm	Ht
100	100	190	162	4-22	64	380	150	35	F07	18	6	14.5	28	18	25
125	125	220	188	4-26	70	415	170	35	F07	18	6	14.5	30	20	25
150	150	250	218	4-26	76	485	185	45	F10	24	8	20	38	24	28
200	200	310	278	4-M24	89	550	220	45	F10	30	8	26	46	30	30
250	250	370	335	4-M27	114	635	270	55	F12	35	10	30	48	35	40
300	300	430	395	4-M27	114	755	300	65	F14	45	14	39.5	58	45	40
350	350	490	450	4-M30	127	820	330	65	F14	45	14	39.5	58	45	45
400	400	550	505	4-M33	140	915	380	80	F16	50	14	44.5	70	50	50
450	450	600	550	4-M33	152	940	395	80	F16	50	14	44.5	75	55	50
500	500	660	615	4-M33	152	1035	440	80	F16	58	16	52	75	58	50
600	600	770	720	4-M36	178	1200	500	110	F25	66	20	58.5	85	66	60
700	700	875	820	4-M39	229	1325	560	130	F30	72	20	64.5	95	72	60
800	800	990	930	4-M45	241	1490	625	130	F30	82	2-22	73	105	82	60
900	900	1090	1030	4-M45	241	1570	675	180	F35	102	2-28	92	125	102	60
100	100	1210	1140	4-M52	300	1730	745	180	F35	120	2-32	109	145	120	70
1200	1200	1420	1350	4-M52	360	1920	850	200	F40	140	2-36	128	165	140	70
1400	1400	1640	1560	4-M56	390	2250	995	200	F40	150	2-36	138	188	160	90

**\* We hereby reserve the rights of any alternative dimension that would help to improve our valve's quality and working efficiency**



**SHANGHAI CIPHY INDUSTRY CO.,LTD**  
**7G-1 Building, N0.515 Yishan Rd.**  
**Shanghai, China**  
**TEL:+86-21-5497 5962**  
**FAX:+86-21-5497 5963**  
**HTTP://WWW.CIPHY.CN**  
**CIPHY@CIPHY.COM**  
**COPYRIGHT©2004-[CIPHY]**  
**ALL RIGHTS RESERVED.**