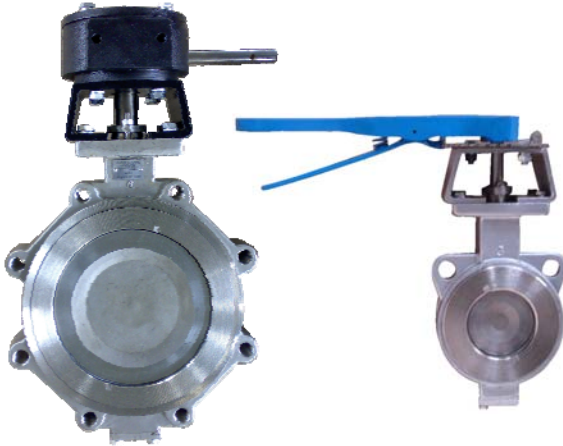


SHANGHAI CIPHY INDUSTRY LTD., CO.

ANSI CLASS 150 DOUBLE ECCENTRIC TYPE CARBON STEEL OR STAINLESS STEEL BUTTERFLY VALVE FLANGED ENDS

MODEL NO: SFAXWF-2ET



BUTTERFLY VALVE PRODUCT'S SIZE:

PRESSURE GRADE	FROM	TO
CLASS 150	2-1/2"	12"

DESIGN DESCRIPTION:

- * CAST STEEL BUTTERFLY VALVE CLASS 150
- * DOUBLE ECCENTRIC TYPE.
- * SEAT SEAL IN EPDM
- * AVAILABLE NBR OR VITON SEAL
- * SPRING BACK SEAT FOR RETAINING.
- * CONNECTION: WAFER TYPE, LUG TYPE

WORKING PRESSURE AND TEMPERATURE

MATERIAL	NBR SEAT	EPDM SEAT	CSM(Hypalon) SEAT	VITON SEAT	PTFE SEAT
CARBON STEEL	-12 °C ~+82 °C	-45 °C ~+135 °C	-18 °C ~+135 °C	-12 °C ~+135 °C	-18 °C ~+180 °C
STAINLESS STEEL	-12 °C ~+82 °C	-45 °C ~+135 °C	-18 °C ~+135 °C	-12 °C ~+135 °C	-18 °C ~+180 °C

GENERAL DESIGN SPECIFICATIONS:

ITEM	AMERICAN STANDARD
MANUFACTURE	API 609
FACE TO FACE	API 609
END FLANGE	ANSI B16.5
INSPECTION AND TEST	API 598

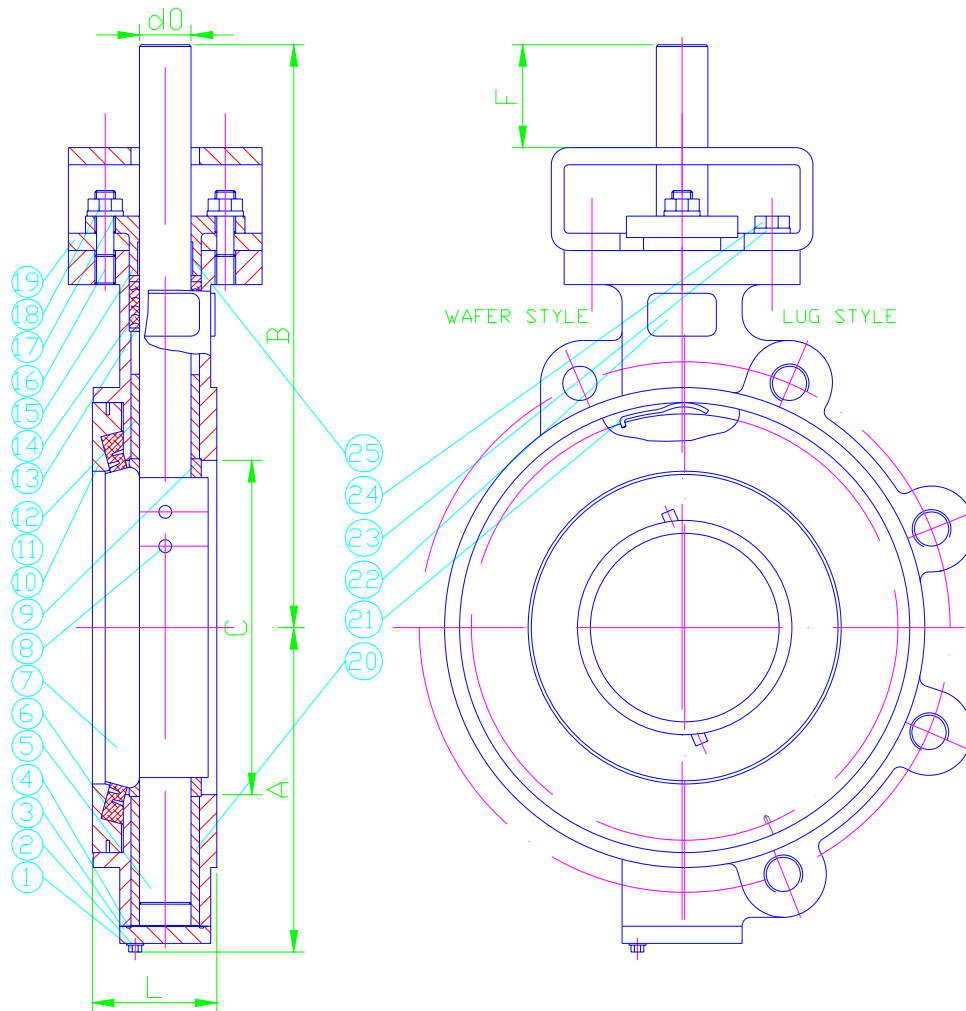
TEST PRESSURE TO API 598:

CLASS	SHELL (WATER)		SEAT (WATER)		SEAT (AIR)	
150	3.1MPA	450PSI	2.2MPA	315PSI	0.6MPA	80PSI

PARTS AND MATERIAL (ASTM)

NO.	PART NAME	MATERIAL
1	HEX STUD	ASTM A582 303
2	WASHER	ASTM A582 303
3	END CAP	ASTM A216-WCB/A351-CF8/CF8M/CF3/CF3M
4	O-RING	NBR/EPDM/VITON
5	SHAFT	ASTM A276-410/A276 304/316/304L/316L
6	SEAT	NBR/EPDM/VITON/PTFE
7	DISC	ASTM A216-WCB/A351-CF8/CF8M/CF3/CF3M
8	PIN	ASTM A276-410/A276 304/316/304L/316L
9	THRUSH WASHER	ASTM A276-410/A276 304/316/304L/316L
10	SEAT RETAINER	ASTM A216-WCB/A351-CF8/CF8M/CF3/CF3M
11	UPPER BUSHING	R-PTFE/BRASS
12	BODY	ASTM A216-WCB/A351-CF8/CF8M/CF3/CF3M
13	METAL RING	ASTM A276-410/A276 304/316/304L/316L
14	SHAFT PACKING	PTFE/GRAPHITE
15	GLAND	ASTM A216-WCB/A351-CF8/CF8M/CF3/CF3M
16	BOLT	ASTM A193-B7/B8
17	WASHER	ASTM A193-B7/B8
18	NUT	ASTM A194-2H/A194-8
19	YOKE	ASTM A216-WCB/A351-CF8
20	LOWER BUTSHING	R-PTFE/BRASS
21	NAME PLATE	ALUMINIUM/SS304
22	RETAINER SPRING	SS304/SS316/INCOEL X750
23	STUD	ASTM A570 GR33
24	WASHER	65Mn
25	SHAFT RETAINER RING	ASTM A276-302/410

OTHER MATERIALS ARE AVAILABLE UPON REQUEST.


DIMENSIONS LIST (UNIT:MM):

mm	C	L	A	B	F	d0
65	70	47.6	84	193.4	25.4	14.25
80	86	47.6	94	203.4	25.4	14.25
100	110	54	121	243.4	25.4	15.77
150	160	57.2	148	272.4	25.4	22.1
200	210	63.5	175	313.5	44.5	28.45
250	262	71.5	214.2	386.6	74.6	28.45
300	310	81	254	442	77	31.72

*** We hereby reserve the rights of any alternative dimension that would help to improve our valve's quality and working efficiency**



SHANGHAI CIPHY INDUSTRY CO.,LTD
7G-1 Building, N0.515 Yishan Rd.
Shanghai, China
TEL:+86-21-5497 5962
FAX:+86-21-5497 5963
HTTP://WWW.CIPHY.CN
CIPHY@CIPHY.COM
COPYRIGHT©2004-[CIPHY]
ALL RIGHTS RESERVED.