

# SHANGHAI CIPHY INDUSTRY CO.,LTD.

## ANSI 1000WOG

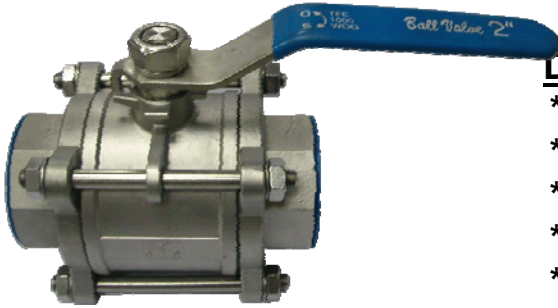
### CARBON STEEL OR STAINLESS STEEL

### 3-PC BALL VALVE BOLTED CAP DESIGN

**MODEL NO: SLAXTH-3P**

#### **BALL VALVE PRODUCT'S SIZE:**

PRESSURE GRADE	FROM	TO
ANSI 1000WOG	1/4"	4"



#### **DESIGN DESCRIPTION:**

- \* BOLTED CAP, 3-PC
- \* INVESTMENT CASTING BODY
- \* BLOW-OUT PROOF STEM DESIGN
- \* CONNECTION: THREADED ENDS
- \* THREAD TYPE(ANSI,DIN,BS)

#### **WORKING PRESSURE AND TEMPERATURE**

WORKING TEMPERATURE		
MATERIAL	CELSIUR SCALE	FAHRENHEIT
CARBON STEEL	-29°C~200°C	6°F~392°F
STAINLESS STEEL	-40°C~200°C	15°F~392°F

#### **GENERAL DESIGN SPECIFICATIONS:**

ITEM	ANSI 1000WOG
MANUFACTURE	FACTORY STANDARDS
PRESSURE-TEMPERATURE RATINGS	ANSI B16.34
END THREAD	Npt , din , bsp ,jis
INSPECTION AND TEST	API 598

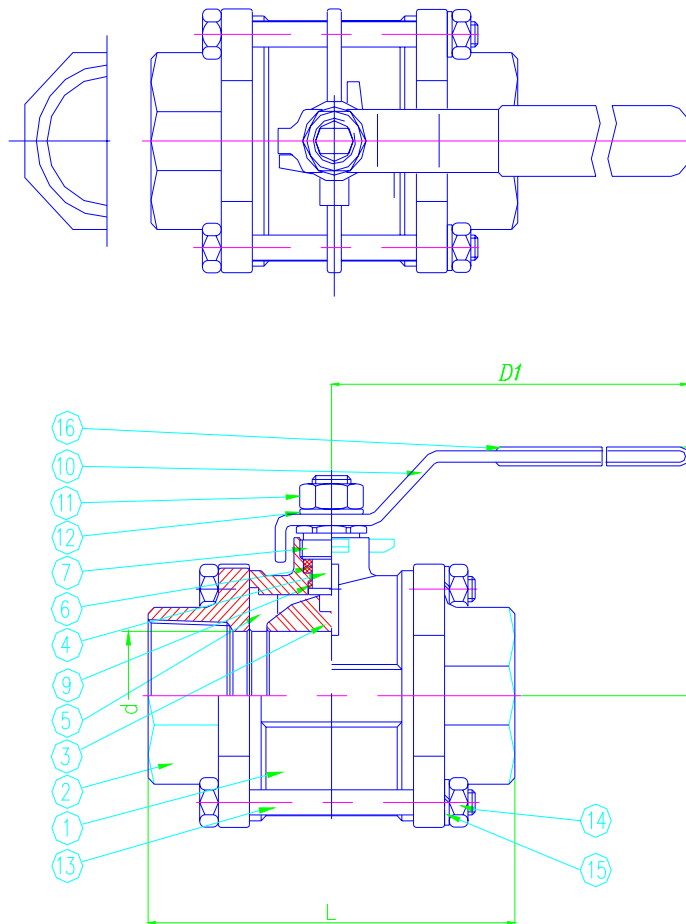
#### **TEST PRESSURE TO API 598**

ANSI	SHELL (WATER)		SEAT (WATER)		SEAT (AIR)	
1000	10.5MPA	1500PSI	7.7MPA	1100PSI	0.6MPA	80PSI

#### **PARTS AND MATERIAL (ASTM)**

No	PART NAME	MATERIAL	
		STAINLESS STEEL	CARBON STEEL
1	BODY	ASTM A351 Gr.CF8M	ASTM A216 WCG
2	CAP	ASTM A351 Gr.CF8M	ASTM A216 WCB
3	BALL	ASTM A351 Gr.CF8M	ASTM A351 Gr.CF8M
4	STEM	ASTM A351 Gr.CF8M	ASTM A276 Gr.316
5	BALL SEATS	PTFE	PTFE
6	STEM PACKING	PTFE	PTFE
7	GLAND	S.S 304	S.S 304
9	THRUST WASHER	PTFE	PTFE
10	HANDLE	S.S 304	S.S 304
11	HANDLE NUT	S.S 304	S.S 304
12	HANDLE WASHER	S.S 304	S.S 304
13	BOLTS	S.S 304	S.S 304
14	BOLTS NUTS	S.S 304	S.S 304
15	BLOTS WASHERS	S.S 304	S.S 304
16	HANDLE SLEEVE	VINYL GRIP	VINYL GRIP

OTHER MATERIALS ARE AVAILABLE UPON REQUEST.



### **DIMENSIONS LIST(UNIT:MM):**

DN	Size	d	L	D1	H
6	1/4"	8	65	98	57
10	3/8"	10	65	98	57
15	1/2"	15	75	125	68
20	3/4"	20	85	125	70
25	1"	25	95	145	80
32	1-1/4"	32	115	145	84
40	1-1/2"	38	125	205	93
50	2"	50	150	205	100
65	2-1/2"	64	175	250	142
80	3"	76	216	265	155
100	4"	100	260	300	172

**\* We hereby reserve the rights of any alternative dimension that would help to improve our valve's quality and working efficiency**



**SHANGHAI CIPHY INDUSTRY CO.,LTD**  
**7G-1 Building, N0.515 Yishan Rd.**  
**Shanghai, China**  
**TEL:+86-21-5497 5962**  
**FAX:+86-21-5497 5963**  
**HTTP://WWW.CIPHY.CN**  
**CIPHY@CIPHY.COM**  
**COPYRIGHT©2004-[CIPHY]**  
**ALL RIGHTS RESERVED.**