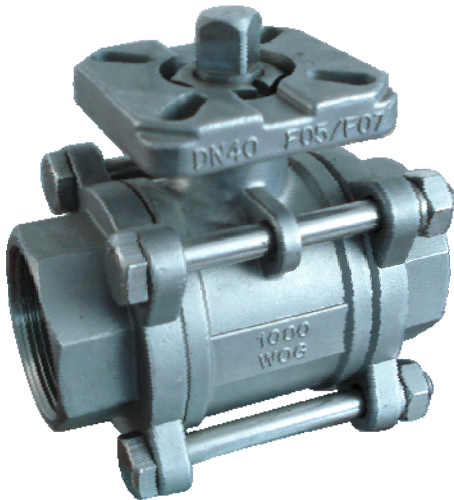


SHANGHAI CIPHY INDUSTRY CO.,LTD.

ANSI 1000WOG WITH DIRECT MOUNT CARBON STEEL OR STAINLESS STEEL 3-PC BALL VALVE BOLTED CAP DESIGN

MODEL NO: SLAXTH-3P-DM



BALL VALVE PRODUCT'S SIZE:

PRESSURE GRADE	FROM	TO
ANSI 1000WOG	1/4"	2-1/2"

DESIGN DESCRIPTION:

- * BOLTED CAP, 3-PC
- * INVESTMENT CASTING BODY
- * BLOW-OUT PROOF STEM DESIGN
- * ISO5211 DIRECT MOUNT
- * CONNECTRION: THREADED ENDS
- * THREAD TYPE(ANSI,DIN,BS)

WORKING PRESSURE AND TEMPERATURE

WORKING TEMPERATURE		
MATERIAL	CELSIUR SCALE	FAHRENHEIT
CARBON STEEL	-29°C~200°C	6°F~392°F
STAINLESS STEEL	-40°C~200°C	15°F~392°F

GENERAL DESIGN SPECIFICATIONS:

ITEM	ANSI 1000WOG
MANUFACTURE	FACTORY STANDARDS
PRESSURE-TEMPERATURE RATINGS	ANSI B16.34
END THREAD	Npt , din , bsp ,jis
INSPECTION AND TEST	API 598

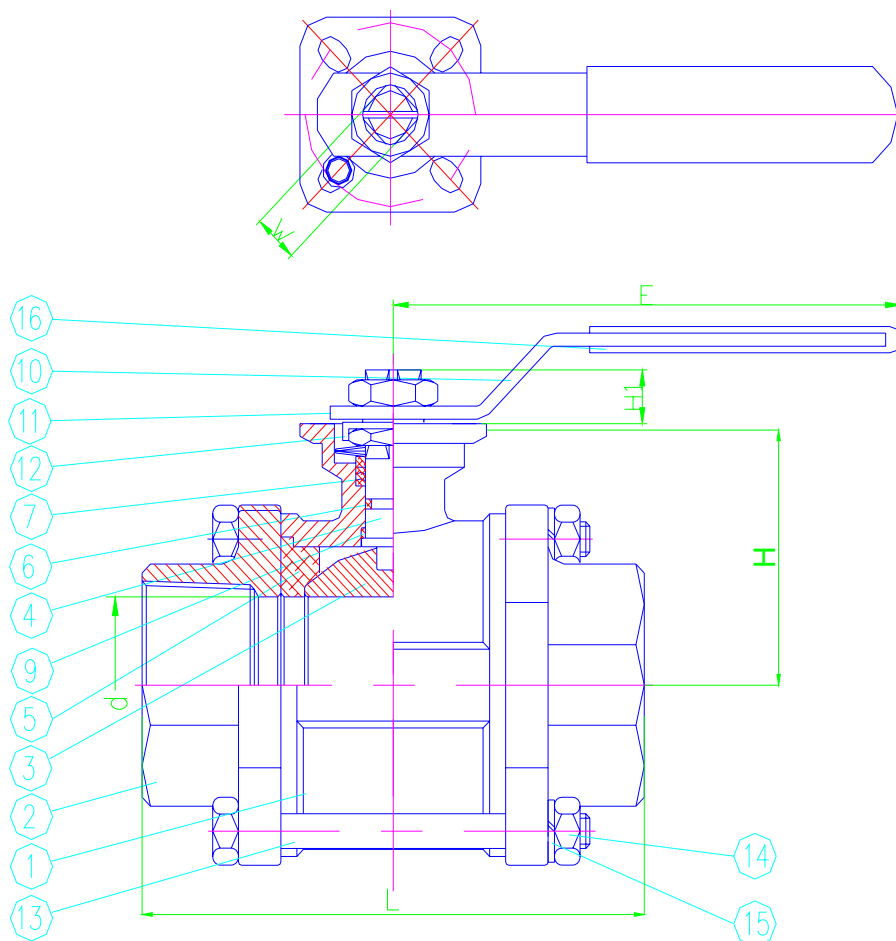
TEST PRESSURE TO API 598

ANSI	SHELL (WATER)		SEAT (WATER)		SEAT (AIR)	
1000	10.5MPA	1500PSI	7.7MPA	1100PSI	0.6MPA	80PSI

PARTS AND MATERIAL (ASTM)

No	PART NAME	MATERIAL	
		STAINLESS STEEL	CARBON STEEL
1	BODY	ASTM A351 Gr.CF8M	ASTM A216 WCG
2	CAP	ASTM A351 Gr.CF8M	ASTM A216 WCB
3	BALL	ASTM A351 Gr.CF8M	ASTM A351 Gr.CF8M
4	STEM	ASTM A351 Gr.CF8M	ASTM A276 Gr.316
5	BALL SEATS	PTFE	PTFE
6	STEM PACKING	PTFE	PTFE
7	GLAND	S.S 304	S.S 304
9	THRUST WASHER	PTFE	PTFE
10	HANDLE	S.S 304	S.S 304
11	HANDLE NUT	S.S 304	S.S 304
12	HANDLE WASHER	S.S 304	S.S 304
13	BOLTS	S.S 304	S.S 304
14	BOLTS NUTS	S.S 304	S.S 304
15	BLOTS WASHERS	S.S 304	S.S 304
16	HANDLE SLEEVE	VINYL GRIP	VINYL GRIP

OTHER MATERIALS ARE AVAILABLE UPON REQUEST.



DIMENSIONS LIST(UNIT:MM):

DN	Size	d	L	D1	H	H1	E	ISO5211	W
6	1/4"	12.5	65	98	68.5	6.6	110	F03/F04	9
10	3/8"	12.5	65	98	68.5	6.6	110	F03/F04	9
15	1/2"	15	75	125	72	6.6	140	F03/F04	9
20	3/4"	20	80	125	78	7.1	140	F03/F04	9
25	1"	25	85	145	90	10.9	170	F04/F05	11
32	1-1/4"	32	105	145	95	10.9	170	F04/F05	11
40	1-1/2"	38	113	205	107	13.9	180	F05/F07	14
50	2"	50	133	205	122	13.9	180	F05/F07	14
65	2-1/2"	64	170	250	155	16.8	220	F07/F10	17

*** We hereby reserve the rights of any alternative dimension that would help to improve our valve's quality and working efficiency**



SHANGHAI CIPHY INDUSTRY CO.,LTD
7G-1 Building, N0.515 Yishan Rd.
Shanghai, China
TEL:+86-21-5497 5962
FAX:+86-21-5497 5963
HTTP://WWW.CIPHY.CN
CIPHY@CIPHY.COM
COPYRIGHT©2004-[CIPHY]
ALL RIGHTS RESERVED.