

SHANGHAI CIPHY INDUSTRY CO.,LTD.

ANSI 1000WOG

CAST STEEL OR STAINLESS STEEL

1-PC BALL VALVE NUT COVER DESIGN

MODEL NO: SLAXTH-1PC

BALL VALVE PRODUCT'S SIZE:

PRESSURE GRADE	FROM	TO
1000WOG	1/4"	2-1/2"



DESIGN DESCRIPTION:

- * **THREADED ENDS.**
- * **1-PC Stainless STEEL BALL VALVE**
- * **INVESTMENT CASTING BODY**
- * **BLOW-OUT PROOF STEM/ REDUCED PORT**
- * **MATERIAL: ASTM A351 CF8M/CF8, ASTM A216 wcb**
- * **OPTION: LOCKING HANDLE**
- * **THREADED: NPT, BSP/BSPT, DIN STD.**

WORKING PRESSURE AND TEMPERATURE:

MATERIAL	CELSIUR SCALE	FAHRENHEIT
CARBON STEEL	0°C~180°C	32°F~356°F
STAINLESS STEEL	0°C~180°C	32°F~356°F

GENERAL DESIGN SPECIFICATIONS:

ITEM	ANSI 1000WOG
MANUFACTURE	FACTORY STD
END TO END	FACTORY STD
END THREAD	NPT, BSP/BSPT, DIN
INSPECTION AND TEST	API 598

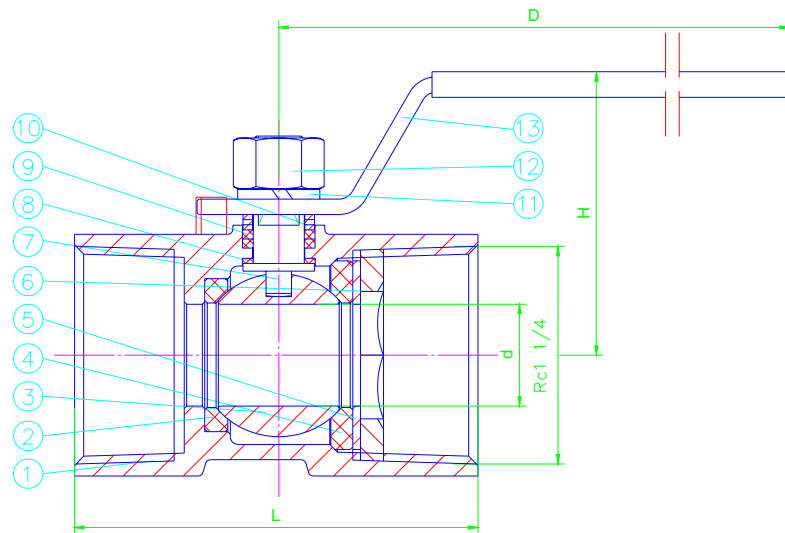
TEST PRESSURE TO API 598:

ANSI	SHELL (WATER)		Seat (WATER)		Seat (ARI)	
1000PSI	10.5Mpa	1500PSI	7.7MPa	1100PSI	0.6MPa	80PSI

PARTS AND MATERIAL (ASTM):

NO	PARTS NAME	MATERIAL
1	Body	ASTM A351 CF8/CF8M/CF3/CF3M
2	Ball Seat	PTFE
3	Solid Ball	ASTM A351 CF8/CF8M/CF3/CF3M
4	Body Seal	PTFE
5	Washer	SS304/SS316/SS304L/SS316L
6	INSERT	ASTM A276 TYPE 304/316/304L/316L
7	Stem	ASTM A276 TYPE 304/316/304L/316L
8	Thrust WASHER	PTFE
9	Stem Packing	PTFE
10	Stem Washer	SS304/SS316/SS304L/SS316L
11	Grip	Vinyl
12	Handle Nut	SS304/SS316/SS304L/SS316L
13	Handle	SS304/SS316/SS304L/SS316L

OTHER MATERIALS ARE AVAILABLE UPON REQUEST



DIMENSIONS LIST(UNIT:MM):

Size	d	L	D	H
1/4"	5	40	65	28
3/8"	8	45	65	30
1/2"	9.5	56	85	34
3/4"	12.5	60	95	40
1"	16	71	110	52
1-1/4"	20	78	140	62
1-1/2"	25	96	140	68
2"	32	101	155	75
2-1/2"	40	120	180	82

*** We hereby reserve the rights of any alternative dimension that would help to improve our valve's quality and working efficiency**



SHANGHAI CIPHY INDUSTRY CO.,LTD
 3F-402,NO.1467 CAOBAO Rd. JINGANXIN TOWN
 SHANGHAI, CHINA.
 TEL:+86-21-5478 4461
 FAX:+86-21-5478 4464
 HTTP://WWW.CIPHY.CN
 CIPHY@CIPHY.COM
 COPYRIGHT©2004-[CIPHY]
 ALL RIGHTS RESERVED.