

SHANGHAI CIPHY INDUSTRY CO.,LTD.

ANSI 1000WOG

CAST STEEL OR STAINLESS STEEL

1-PC BAR BALL VALVE NUT COVER DESIGN

MODEL NO: SLAXTH-1PC-B



BALL VALVE PRODUCT'S SIZE:

PRESSURE GRADE	FROM	TO
1000WOG	1/4"	4"

DESIGN DESCRIPTION:

- * THREADED ENDS.
- * 1-PC STAINLESS STEEL BALL VALVE
- * STEEL BAR BODY
- * BLOW-OUT PROOF STEM/ REDUCED PORT
- * MATERIAL: ASTM F304,F316,A105
- * OPTION: HANDLE
- * THREADED: NPT, BSP/BSPT, DIN STD.

WORKING PRESSURE AND TEMPERATURE:

MATERIAL	CELSIUR SCALE	FAHRENHEIT
CARBON STEEL	0°C~180°C	32°F~356°F
STAINLESS STEEL	0°C~180°C	32°F~356°F

GENERAL DESIGN SPECIFICATIONS:

ITEM	ANSI 1000WOG
MANUFACTURE	FACTORY STANDARDS
END TO END	FACTORY STANDARDS
END THREADED	NPT, BSP/BSPT, DIN STD.
INSPECTION AND TEST	API 598

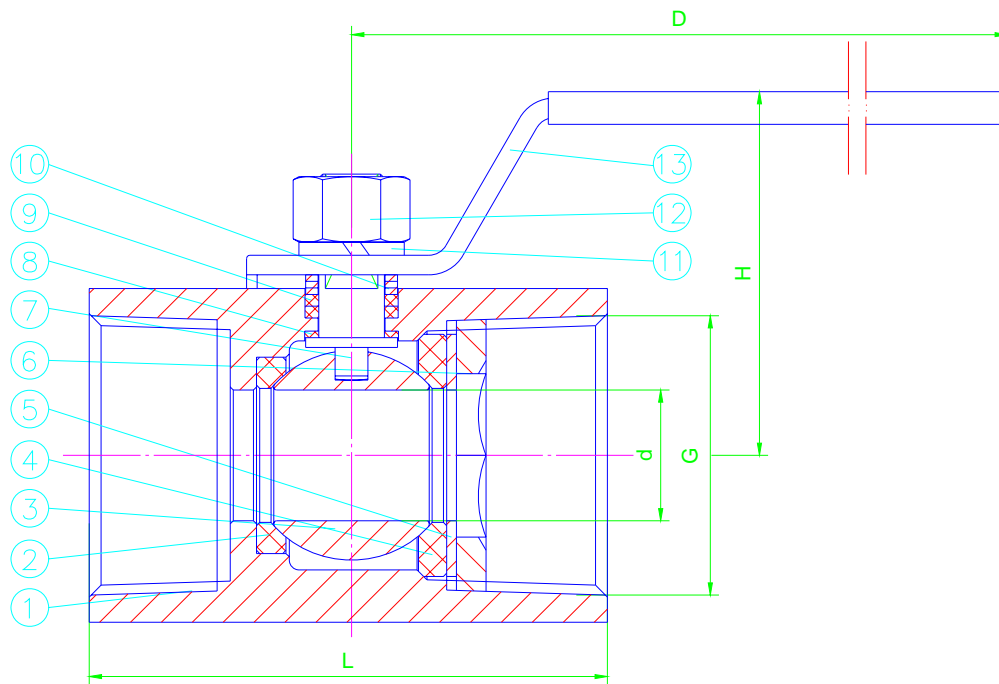
TEST PRESSURE TO API 598:

ANSI	SHELL (WATER)		Seat (WATER)		Seat (ARI)	
1000PSI	10.5Mpa	1500PSI	7.7MPa	1100PSI	0.6MPa	80PSI

PARTS AND MATERIAL (ASTM):

NO	PARTS NAME	MATERIAL
1	Body	ASTM A105/F304/F316
2	Ball Seat	PTFE
3	Solid Ball	ASTM A105/F304/F316
4	Body Seal	PTFE
5	Washer	CARBON STEEL/SS304/SS316/SS304L/SS316L
6	INSERT	ASTM A276 TYPE 304/316/304L/316L
7	Stem	ASTM A276 TYPE 304/316/304L/316L
8	Thrust WASHER	PTFE
9	Stem Packing	PTFE
10	Stem Washer	CARBON STEEL/SS304/SS316/SS304L/SS316L
11	Grip	Vinyl
12	Handle Nut	CARBON STEEL/SS304/SS316/SS304L/SS316L
13	Handle	CARBON STEEL/SS304/SS316/SS304L/SS316L

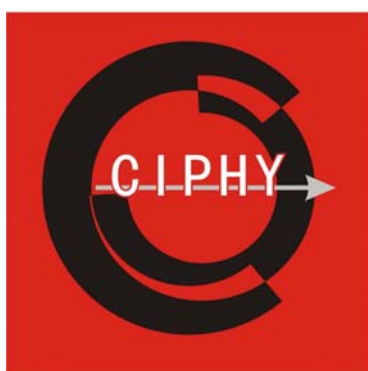
OTHER MATERIALS ARE AVAILABLE UPON REQUEST



DIMENSIONS LIST(UNIT:MM):

Size	d	G	L	D	H
1/4"	5	1/4"	48	65	32
3/8"	8	3/8"	55	85	42
1/2"	9.5	1/2"	60	95	45
3/4"	12.5	3/4"	65	110	48
1"	16	1"	73	110	53
1-1/4"	20	1-1/4"	88.5	140	64
1-1/2"	25	1-1/2"	95	140	75
2"	32	2"	108	155	79
2-1/2"	40	2-1/2"	132	180	90
3"	50	3"	150	220	100
4"	64	4"	188	220	115

*** We hereby reserve the rights of any alternative dimension that would help to improve our valve's quality and working efficiency**



SHANGHAI CIPHY INDUSTRY CO.,LTD
 3F-402,NO.1467 CAOBao Rd. JINGANXIN TOWN
 SHANGHAI, CHINA.
 TEL:+86-21-5478 4461
 FAX:+86-21-5478 4464
 HTTP://WWW.CIPHY.CN
 CIPHY@CIPHY.COM
 COPYRIGHT©2004-[CIPHY]
 ALL RIGHTS RESERVED.