

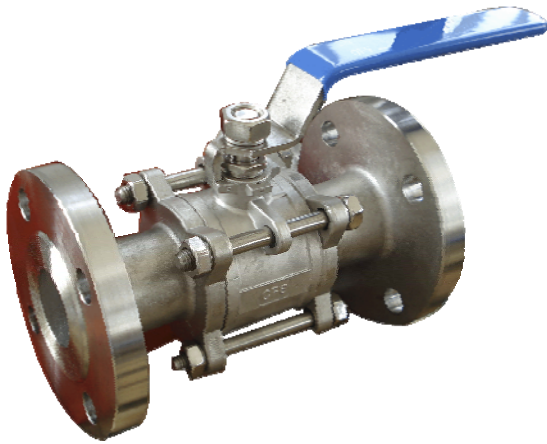
SHANGHAI CIPHY INDUSTRY CO.,LTD.

ANSI 1000WOG

CARBON STEEL OR STAINLESS STEEL

3-PC BALL VALVE BOLTED CAP DESIGN

MODEL NO: SLAXRF-3P



BALL VALVE PRODUCT'S SIZE:

PRESSURE GRADE	FROM	TO
ANSI 1000WOG	1/4"	4"

DESIGN DESCRIPTION:

- * BOLTED CAP, 3-PC
- * INVESTMENT CASTING BODY
- * BLOW-OUT PROOF STEM DESIGN
- * CONNECTION: THREADED ENDS
- * FLANGED TYPE(ANSI,DIN,BS)

WORKING PRESSURE AND TEMPERATURE

WORKING TEMPERATURE		
MATERIAL	CELSIUR SCALE	FAHRENHEIT
CARBON STEEL	-29°C~200°C	6°F~392°F
STAINLESS STEEL	-40°C~200°C	15°F~392°F

GENERAL DESIGN SPECIFICATIONS:

ITEM	ANSI 1000WOG
MANUFACTURE	FACTORY STANDARDS
PRESSURE-TEMPERATURE RATINGS	ANSI B16.34
END THREAD	Npt , din , bsp ,jis
INSPECTION AND TEST	API 598

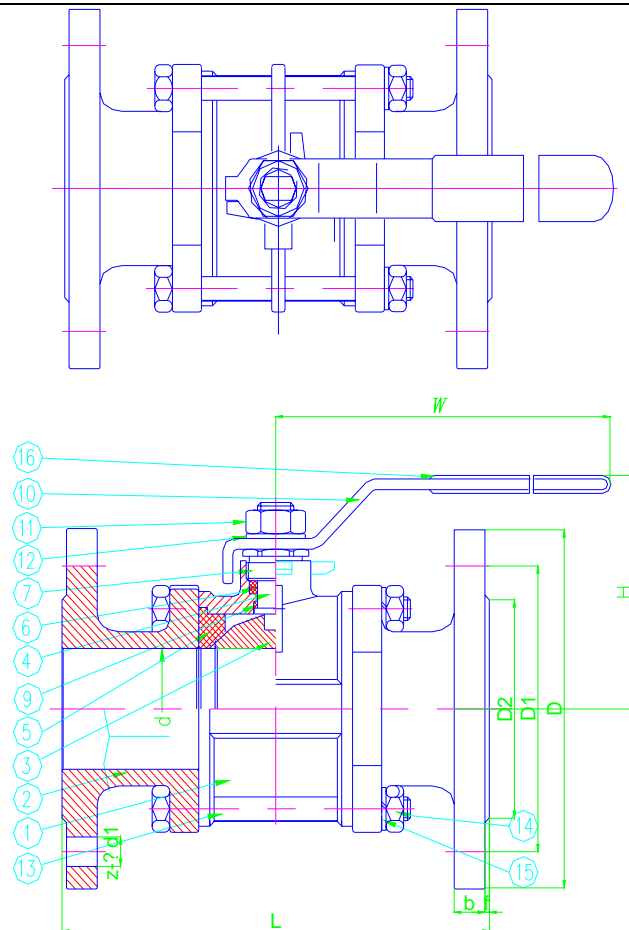
TEST PRESSURE TO API 598

ANSI	SHELL (WATER)		SEAT (WATER)		SEAT (AIR)	
1000	10.5MPA	1500PSI	7.7MPA	1100PSI	0.6MPA	80PSI

PARTS AND MATERIAL (ASTM)

No	PART NAME	MATERIAL	
		STAINLESS STEEL	CARBON STEEL
1	BODY	ASTM A351 Gr.CF8M	ASTM A216 WCG
2	CAP	ASTM A351 Gr.CF8M	ASTM A216 WCB
3	BALL	ASTM A351 Gr.CF8M	ASTM A351 Gr.CF8M
4	STEM	ASTM A351 Gr.CF8M	ASTM A276 Gr.316
5	BALL SEATS	PTFE	PTFE
6	STEM PACKING	PTFE	PTFE
7	GLAND	S.S 304	S.S 304
9	THRUST WASHER	PTFE	PTFE
10	HANDLE	S.S 304	S.S 304
11	HANDLE NUT	S.S 304	S.S 304
12	HANDLE WASHER	S.S 304	S.S 304
13	BOLTS	S.S 304	S.S 304
14	BOLTS NUTS	S.S 304	S.S 304
15	BLOTS WASHERS	S.S 304	S.S 304
16	HANDLE SLEEVE	VINYL GRIP	VINYL GRIP

OTHER MATERIALS ARE AVAILABLE UPON REQUEST.



DIMENSIONS LIST(UNIT:MM):

NPS	d	L	H	W	D2	D1	D	b	Z-d1	f
1/2"	15	130	77	130	35	60.5	88.9	11.2	4-16	1.6
3/4"	20	150	77	130	43	70	98.5	12.7	4-16	1.6
1"	25	160	88	130	51	79.5	108	14.3	4-16	1.6
1-1/4"	32	180	113	180	64	89	117	15.7	4-16	1.6
1-1/2"	40	200	132	230	73	98.5	127	17.6	4-16	1.6
2"	50	230	142	400	92	120.5	152	19.1	4-19	1.6
2-1/2"	65	290	173	400	105	139.5	178	22.3	4-19	1.6
3"	80	310	182	640	127	152.5	190	23.9	4-19	1.6
4"	102	350	250	1100	157	190.5	229	23.9	8-19	1.6

*** We hereby reserve the rights of any alternative dimension that would help to improve our valve's quality and working efficiency**



SHANGHAI CIPHY INDUSTRY CO.,LTD
 7G-1 Building, N0.515 Yishan Rd.
 Shanghai, China
 TEL:+86-21-5497 5962
 FAX:+86-21-5497 5963
 HTTP://WWW.CIPHY.CN
 CIPHY@CIPHY.COM
 COPYRIGHT©2004-[CIPHY]
 ALL RIGHTS RESERVED.