

# SHANGHAI CIPHY INDUSTRY LTD.,CO.

## ANSI CLASS 600/900/1500

### CARBON STEEL OR STAINLESS STEEL

### BALL VALVE 3-PCS TRUNNION TYPE

**MODEL NO: SLAXRF-3P-TR**



#### **BALL VALVE PRODUCT'S SIZE:**

PRESSURE GRADE	FROM	TO
CLASS 1500	4"	36
CLASS 900	4"	36
CLASS 600	6"	36
CLASS 300/150	6"	36

#### **DESIGN DESCRIPTION:**

- \* **CAST STEEL BALL VALVE CLASS 150/300/600/900/1500**
- \* **3- PIECE STRUCTURE & TRUNION BALL TYPE.**
- \* **GEAR OPERATOR PROVIDED 4" AND ABOVE**
- \* **ANTI-STATIC DEVICE & ANTI-BLOWOUT STEM DESIGN**
- \* **FIRE-SAFE SEAT DESIGN**
- \* **PTFE & METAL SEAT, FULL BORE/ STANDARD BORE.**
- \* **CONNECTION: RF(RAISED FACE); RTJ (RING TYPE JOINT)**

#### **WORKING PRESSURE AND TEMPERATURE**

WORKING TEMPERATURE		
MATERIAL	CELSIUR SCALE	FAHRENHEIT
CARBON STEEL	-290C~4250C	60F~8220F
STAINLESS STEEL	-400C~5500C	150F~10470F

#### **GENERAL DESIGN SPECIFICATIONS:**

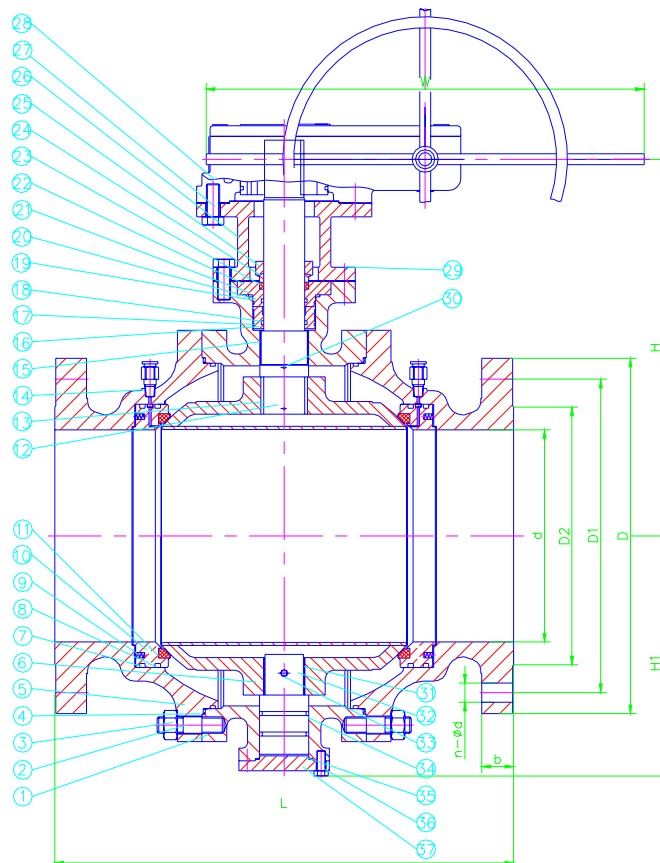
ITEM	AMERICAN STANDARD
MANUFACTURE	API 6D
PRESSURE-TEMPERATURE RATINGS	ANSI B16.34
FACE TO FACE	ANSI B16.10
END FLANGE	ANSI B16.5
BODY & CAP CONTACT	ANSI B16.5
INSPECTION AND TEST	API 6D OR API598

#### **TEST PRESSURE TO API 598**

CLASS	SHELL (WATER)		SHELL (AIR)		SEAT (WATER)		SEAT (AIR)	
1500	39MPA	5558PSI	28.7MPA	4076PSI	28.7MPA	4076PSI	0.6MPA	80PSI
900	23.4MPA	3330PSI	17.2MPA	2442PSI	17.2MPA	2442PSI	0.6MPA	80PSI
600	15.3MPA	2225PSI	11.2MPA	1630PSI	11.2MPA	1630PSI	0.6MPA	80PSI
300	7.8MPA	1125PSI	5.6MPA	815PSI	5.6MPA	815PSI	0.6MPA	80PSI
150	3.1MPA	450PSI	2.2MPA	315PSI	2.2MPA	315PSI	0.6MPA	80PSI

**PARTS AND MATERIAL (ASTM)**

NO	PARTS NAME	MATERIAL						
1	BODY	ASTM A216-WCB	A216LCB	A217WC1	A217WC6	A351CF8	A351CF8M	A217WC5
2	ADOPTER BOLT	ASTM A193 B7 OR A193 B7M OR A320 L7 OR A320 B8 OR A320 B8M						
3	ADOPTER NUT	ASTM A194 2H OR A194 2HM OR A194 4 OR A194 8						
4	GASKET	GRAPHITE+SS304 OR PTFE						
5	ADOPTER	ASTM A216-WCB	A216LCB	A217WC1	A217WC6	A351CF8	A351CF8M	A217WC5
6	BALL	A216-WCB+ENP	A216LCB+ENP	A217WC1+ENP	A217WC6+EPN	A351CF8	A351CF8M	A217WC5+ENP
7	SEAL RING	GRAPHITE(FIRE SAFT)						
8	SEAT O-RING	VITON-B	VITON-B	VITON-B	VITON-B	VITON-B	VITON-B	VITON-B
9	COIL SPRING	AISI 6150 17-7PH(INCONEL FOR NACE) Ni-Cr ALLOY						
10	SEAT HOLDER	ASTM A105/ENP	F304	A105/ENP	A105/ENP	F304	F316	A105ENP
11	SEAT INSERT	NYLON/R-PTFE						
12	STEM	ASTM A182F6	A182F6	A182F6	A182F6	A182CF8	A182CF8M	A182F6
13	STEM KEY	ANSI 1045						
14	SEALANT INJECTION	CARBON STEEL						
15	STEM BUSH	STEEL LINER PTFE						
16	GASKET	GRAPHITE						
17	GLAND	ASTM A105ENP	A105ENP	A105ENP	A105ENP	F304	F316	A105ENP
18	GLAND O-RING	VITON-B						
19	STEM O-RING	VITON-B						
20	GLAND FLANGE	ASTM A105ENP	A105ENP	A105ENP	A105ENP	F304	F316	A105ENP
21	GASKET	GRAPHITE+SS304 OR PTFE OR STAINLESS STEEL						
22	STUD	ASTM A193 B7 OR A193 B7M OR A320 L7 OR A320 B8 OR A320 B8M						
23	STEM PACKING	GRAPHITE						
24	GLAND	ASTM A105ENP	A105ENP	A105ENP	A105ENP	F304	F316	A105ENP
25	GLAND FLANGE	ASTM A105ENP	A105ENP	A105ENP	A105ENP	F304	F316	A105ENP
26	YOKE	ASTM A216-WCB	A216LCB	A217WC1	A217WC6	A351CF8	A351CF8M	A217WC5
27	GEAR BOX STUD	ASTM A193 B7 OR A193 B7M OR A320 L7 OR A320 B8 OR A320 B8M						
28	GEAR BOX	DUCTILE IRON						
29	YOKE STUD	ASTM A193 B7 OR A193 B7M OR A320 L7 OR A320 B8 OR A320 B8M						
30	ANTISTATIC DEVICE	STAINLESS STEEL						
31	TRUNNION BUSH	STEEL LINER PTFE						
32	TRUNNION	ASTM A105ENP	A105ENP	A105ENP	A105ENP	F304	F316	A105ENP
33	DRAIN PLUG	ANSI 1025						
34	TRUNNION O-RING	VITON-B	VITON-B	VITON-B	VITON-B	VITON-B	VITON-B	VITON-B
35	GASKET	GRAPHITE+SS304 OR PTFE						
36	COVER STUD	ASTM A193 B7 OR A193 B7M OR A320 L7 OR A320 B8 OR A320 B8M						
37	TRUNNION COVER	ASTM A105ENP	A105ENP	A105ENP	A105ENP	F304	F316	A105ENP



**DIMENSIONS LIST (UNIT:MM):**

CLASS 150												
INCH	DN	d	D	D1	D2	b	n-%cd	L	H	H1	W	GEAR
6"	150	152	279	241.3	216	26	8-22	394	377	211	600	B
8"	200	203	343	298.5	270	29	8-22	457	421	252	600	B
10"	250	254	406	362	324	31	12-26	533	482	309	600	B
12"	300	305	483	431.8	381	32	12-26	610	549	345	800	C
14"	350	337	533	476.3	413	35	12-29	686	582	386	800	C
16"	400	387	597	539.8	470	37	16-29	762	687	440	800	D
18"	450	438	635	577.9	533	40	16-32	864	731	478	800	D
20"	500	489	699	635	584	43	20-32	914	772	542	800	D
24"	600	591	813	749.3	692	48	20-35	1067	995	630	1000	H1
28"	700	686	927	863.6	800	72	28-35	1245	865	697	1000	H1
30"	750	737	984	914.4	857.3	75	28-35	1295	994	734	1000	H2
32"	800	781	1060	977.9	914.4	81	28-41	1372	1088	814	1000	H2
36"	900	876	1168	1085.9	1022.4	91	32-41	1524	1122	860	1000	H3
CLASS 300												
6"	150	152	318	269.9	216	37	12-22	403	377	211	600	B
8"	200	203	381	330.2	270	42	12-26	502	421	252	600	B
10"	250	254	445	387.4	324	48	16-29	568	482	309	600	B
12"	300	305	521	450.8	381	51	16-32	648	549	345	800	C
14"	350	337	584	514.4	413	54	20-32	762	582	386	800	C
16"	400	387	648	571.5	470	58	20-35	838	687	440	800	D
18"	450	438	711	628.6	533	61	24-35	914	731	478	800	D
20"	500	489	775	685.8	584	64	24-35	991	772	542	800	D
24"	600	591	914	812.8	692	70	24-41	1143	995	630	1000	H1
28"	700	686	1035	939.8	800	86	28-45	1346	865	697	1000	H1
30"	750	737	1092	997	857.3	92	28-48	1397	994	734	1000	H2
32"	800	781	1149	1054.1	914.4	99	28-51	1524	1088	814	1000	H2
36"	900	876	1270	1168.4	1022.4	105	32-54	1727	1122	860	1000	H3
CLASS 600												
6"	150	152	356	292.1	216	48	12-29	559	402	227	800	C
8"	200	203	419	349.2	270	56	12-32	660	459	286	800	C
10"	250	254	508	431.8	324	64	16-35	787	557	328	800	D
12"	300	305	559	489	381	67	20-35	838	610	371	800	D
14"	350	337	603	527	413	70	20-38	889	715	388	1000	H1
16"	400	387	686	603.2	470	77	20-41	991	772	433	1000	H1
18"	450	438	743	654	533	83	20-45	1092	707	498	1000	H2
20"	500	489	813	723.9	584	89	24-45	1194	782	533	1000	H2
24"	600	591	940	838.2	692	102	24-51	1397	887	635	1000	H3
28"	700	686	1073	965.2	800	112	28-54	1549	965	712	1000	H3
30"	750	737	1130	1022.4	857.3	115	28-54	1651	1040	763	1000	H4
32"	800	781	1194	1079.5	914.4	118	28-60	1778	1127	841	1000	H4
36"	900	876	1314	1193.8	1022.4	124	28-66.5	2083	1220	958	1000	H5
CLASS 900												
4"	100	102	292	235	157	44.5	8-32	457	367	178	600	B
5"	125	127	349	279.4	186	51	8-35	559	387	192	600	B
6"	150	152	381	317.5	216	56	12-32	610	435	230	800	C
8"	200	203	470	393.7	270	63.5	12-39	737	528	286	800	C
10"	250	254	545	469.9	324	70	16-39	838	581	328	800	D
12"	300	305	610	533.4	381	79.5	20-39	965	707	380	800	H1
14"	350	324	640	558.8	413	86	20-42	1029	773	412	1000	H1
16"	400	375	705	616	470	89	20-45	1130	755	440	1000	H1
18"	450	425	785	685.8	533	102	20-51	1219	830	498	1000	H2
20"	500	473	855	749.3	584	108	20-54	1321	782	533	1000	H2
24"	600	572	1040	901.7	692	140	20-67	1549	887	635	1000	H3
28"	700	667	1168	1022.4	800	143	20-80		965	712	1000	H3
30"	750	714	1232	1085.9	857.3	150	20-80		1040	763	1000	H4
32"	800	762	1314	1155.7	914.4	159	20-86		1127	841	1000	H4
36"	900	857	1461	1289.1	1022.4	172	20-92		1220	958	1000	H5
CLASS 1500												
4"	100	102	311	241.3	157	54	8-35	546	367	178	600	B

5"	125		375	292.1	186	73.5	8-42	673	387	192	600	B
6"	150	146	394	317.5	216	83	12-39	705	435	230	800	C
8"	200	194	483	393.7	270	92.1	12-45	832	538	286	800	D
10"	250	241	585	482.6	324	108	12-51	991	581	328	800	H1
12"	300	289	675	571.5	381	124	16-54	1130	707	380	800	H1
14"	350	318	750	635	413	133.5	16-61	1257	773	412	1000	H1
16"	400	362	825	704.8	470	146.5	16-67	1384	755	440	1000	H2
18"	450	410	915	774.7	533	162	16-73	1537	830	498	1000	H2
20"	500	465	985	831.8	584	178	16-80	1664	782	533	1000	H3
24"	600	548	1170	990.6	692	203.5	16-93	1943	887	635	1000	H3
28"	700	641							965	712	1000	H4
30"	750	692							1040	763	1000	H4
32"	800								1127	841	1000	H5
36"	900								1220	958	1000	

**\* We hereby reserve the rights of any alternative dimension that would help to improve our valve's quality and working efficiency**



**SHANGHAI CIPHY INDUSTRY CO.,LTD**  
**7G-1 Building, N0.515 Yishan Rd.**  
**Shanghai, China**  
**TEL:+86-21-5497 5962**  
**FAX:+86-21-5497 5963**  
**HTTP://WWW.CIPHY.CN**  
**CIPHY@CIPHY.COM**  
**COPYRIGHT©2004-[CIPHY]**  
**ALL RIGHTS RESERVED.**