

SHANGHAI CIPHY INDUSTRY CO.,LTD.

ANSI CLASS 150/300/600/900/1500

CARBON STEEL OR STAINLESS STEEL

2-PC BALL VALVE BOLTED CAP DESIGN

MODEL NO: SLAXRF-2P



BALL VALVE PRODUCT'S SIZE:

PRESSURE GRADE	FROM	TO
CLASS 150	1/2"	10"
CLASS 300	1/2"	8"
CLASS 600	1/2"	4"
CLASS 900	1/2"	2"
CLASS 1500	1/2"	2"

DESIGN DESCRIPTION:

- * BOLTED CAP, 2-PC
- * FULL PORT
- * CONNECTION: RF, RTJ
- * FLANGE TYPE(ANSI,DIN,BS)
- * Anti-static feature

WORKING PRESSURE AND TEMPERATURE

WORKING TEMPERATURE		
MATERIAL	CELSIUR SCALE	FAHRENHEIT
CARBON STEEL	-29 ⁰ C~425 ⁰ C	6 ⁰ F~822 ⁰ F
STAINLESS STEEL	-40 ⁰ C~550 ⁰ C	15 ⁰ F~1047 ⁰ F

GENERAL DESIGN SPECIFICATIONS:

ITEM	CLASS 150/300/600/900/1500
MANUFACTURE	API 6D OR API608
PRESSURE-TEMPERATURE RATINGS	ANSI B16.34
FACE TO FACE	ANSI B16.10
END FLANGE	ANSI B16.5
INSPECTION AND TEST	API 598 OR API 6D OR API 607

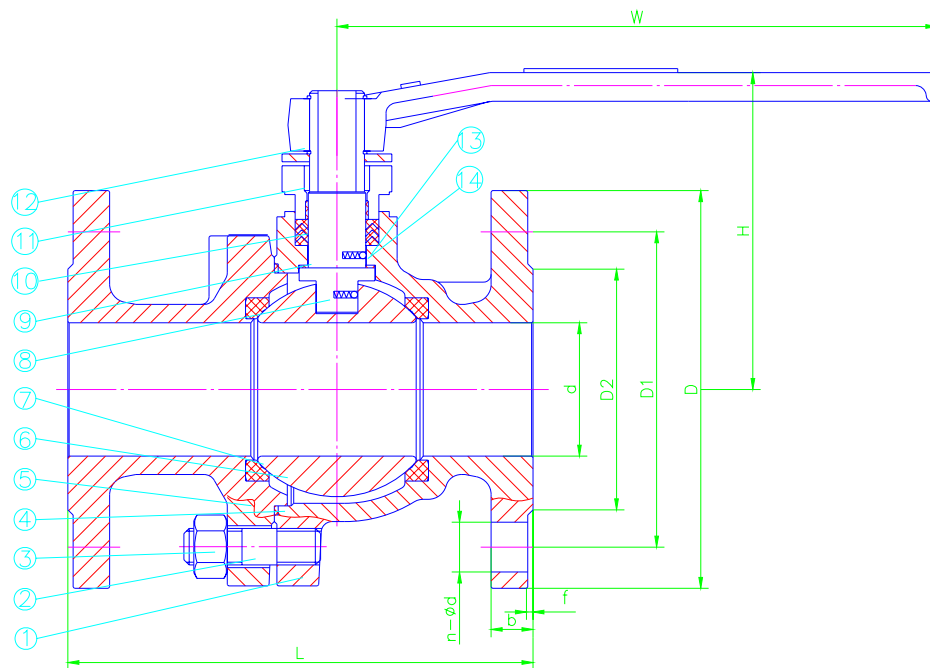
TEST PRESSURE TO API 598

ANSI	SHELL (WATER)		SEAT (WATER)		SEAT (AIR)	
150	3.1MPA	450PSI	2.2MPA	315PSI	0.6MPA	80PSI
300	7.8MPA	1125PSI	5.6MPA	815PSI	0.6MPA	80PSI
600	15.3MPA	2225PSI	11.2MPA	1630PSI	0.6MPA	80PSI
900	23.4MPA	3330PSI	17.2MPA	2442PSI	0.6MPA	80PSI
1500	39.1MPA	5557PSI	28.7MPA	4075PSI	0.6MPA	80PSI

PARTS AND MATERIAL (ASTM)

NO.	PARTS NAME	MATERIALS				
		ASTM A216-WCB	A351-CF8	A351-CF8M	A351-CF3	A351-CF3M
1	BODY	ASTM A216-WCB	A351-CF8	A351-CF8M	A351-CF3	A351-CF3M
2	BODY STUD	ASTM A193 B7	ASTM A193 B8M			
3	BODY STUD NUT	ASTM A194 2H	ASTM A194 8M			
4	GASKET	PTFE				
5	CAP	ASTM A216-WCB	A351-CF8	A351-CF8M	A351-CF3	A351-CF3M
6	Ball	WCB+ENP/SS304	SS304	SS316	SS304L	SS316L
7	SEAT	PTFE/R-PTFE/NYLON				
8	STEM	F6a/F304	F304	F316	F304L	F316L
9	LOWER STEM SEAL	PTFE				
10	STEM PACKING	RAINFORCED GRAPHITE				
11	GLAND	ASTM A182 F6	ASTM F304	ASTM F316	ASTM F304L	ASTM F316L
12	HANDLE	CARBON STEEL				
13	SMALL BALL	STAINLESS STEEL				
14	SPRING	STAINLESS STEEL				

OTHER MATERIALS ARE AVAILABLE UPON REQUEST.



DIMENSIONS LIST(UNIT:MM):

CLASS 150																
DN	INCH	L		d	D	D1	D2	b	f	n-Φd	W		H		WEIGHT (kg)	
		RF	RJ								LEVER	GEAR	LEVER	GEAR	LEVER	GEAR
15	1/2	108	119	14	89	60.5	35	11.5	1.6	4-15	140	-	85	-	3	-
20	3/4	117	130	19	98	70	43	11.5	1.6	4-15	140	-	90	-	4	-
25	1	127	140	25	108	79.5	51	11.5	1.6	4-15	150	-	99	-	5	-
32	1-1/4	140	153	32	117	89	64	13	1.6	4-15	180	-	105	-	7	-
40	1-1/2	165	178	38	127	98.5	73	14.5	1.6	4-15	200	-	126	-	8	-
50	2	178	191	51	152	120.5	92	16	1.6	4-19	250	-	140	-	12	-
65	2-1/2	190	203	64	178	139.5	105	17.5	1.6	4-19	300	-	165	-	18	-
80	3	203	216	76	190	152.5	127	19.5	1.6	4-19	350	-	178	-	24	-
100	4	229	242	102	229	190.5	157	24	1.6	8-19	500	305	230	380	38	53
125	5	356	369	127	254	216	186	24	1.6	8-22	800	305	280	405	60	79
150	6	394	407	152	279	241.5	216	25.5	1.6	8-22	800	305	310	460	82	102
200	8	457	470	203	343	298.5	270	29	1.6	8-22	1000	305	350	550	145	185
250	10	533	546	254	406	362	324	31	1.6	12-25	-	400	-	706	-	280
CLASS 300																
15	1/2	140	151	14	95	66.5	35	14.5	1.6	4-15	140	-	85	-	3	-
20	3/4	152	165	19	117	82.5	43	16	1.6	4-19	140	-	90	-	5	-
25	1	165	178	25	124	89	51	17.5	1.6	4-19	150	-	99	-	6	-
32	1-1/4	178	191	32	133	98.5	64	19.5	1.6	4-19	180	-	105	-	8	-

40	1-1/2	190	203	38	156	114.5	73	21	1.6	4-22	200	-	126	-	11	-
50	2	216	232	51	165	127	92	22.5	1.6	8-19	250	-	142	-	16	-
65	2-1/2	241	257	64	190	149	105	25.5	1.6	8-22	300	-	165	-	24	-
80	3	283	299	76	210	168.5	127	29	1.6	8-22	350	-	178	330	34	52
100	4	305	321	102	254	200	157	32	1.6	8-22	500	305	230	380	56	76
125	5	381	397	127	279	235	186	35	1.6	8-22	800	305	280	420	86	124
150	6	403	419	152	318	270	216	37	1.6	12-22	800	305	310	480	125	163
200	8	502	518	203	381	330	270	41.5	1.6	12-25	1000	305	350	560	222	267

CLASS 600

15	1/2	165	164	14	95	66.5	35	14.5	6.4	4-15	140	-	79	-	5	-
20	3/4	190	190	19	118	82.5	43	16	6.4	4-19	140	-	83	-	7	-
25	1	216	216	25	124	89	51	17.5	6.4	4-19	200	-	114	-	9	-
32	1-1/4	229	229	32	133	98.5	64	21	6.4	4-19	200	-	120	-	13	-
40	1-1/2	241	241	38	156	114.5	73	22.5	6.4	4-22	250	-	125	-	17	-
50	2	292	295	51	165	127	92	25.5	6.4	8-19	300	-	156	-	25	-
65	2-1/2	330	333	64	190	149	105	29	6.4	8-22	350	-	172	-	42	-
80	3	356	359	76	210	168	127	32	6.4	8-22	500	305	220	370	56	76
100	4	432	435	102	273	216	157	38.5	6.4	8-25	650	305	250	400	85	123

CLASS 900

15	1/2	216	216	14	121	82.5	35	22.5	6.4	4-23	150	-	98	-	9	-
20	3/4	229	229	20	130	88.9	43	25.5	6.4	4-23	150	-	105	-	13	-
25	1	254	254	25	149	101.6	51	29	6.4	4-19	200	-	110	-	16	-
32	1-1/4	279	279	32	159	111.1	64	29	6.4	4-26	250	-	120	-	24	-
40	1-1/2	305	305	38	178	123.8	73	32	6.4	4-29	250	-	125	-	31	-
50	2	368	371	50	216	165.1	92	38.5	6.4	8-26	350	-	160	-	45	-

CLASS 1500

15	1/2	216	216	14	121	82.5	35	22.5	6.4	4-23	182	-	98	-	10	-
20	3/4	229	229	20	130	88.9	43	25.5	6.4	4-23	200	-	105	-	14	-
25	1	254	254	25	149	101.6	51	29	6.4	4-19	250	-	110	-	17	-
32	1-1/4	279	279	32	159	111.1	64	29	6.4	4-26	300	-	120	-	25	-
40	1-1/2	305	305	38	178	123.8	73	32	6.4	4-29	350	-	130	-	33	-
50	2	368	371	50	216	165.1	92	38.5	6.4	8-26	500	-	160	-	48	-

*** We hereby reserve the rights of any alternative dimension that would help to improve our valve's quality and working efficiency**



SHANGHAI CIPHY INDUSTRY CO.,LTD
7G-1 Building, N0.515 Yishan Rd.
Shanghai, China
TEL:+86-21-5497 5962
FAX:+86-21-5497 5963
HTTP://WWW.CIPHY.CN
CIPHY@CIPHY.COM
COPYRIGHT©2004-[CIPHY]
ALL RIGHTS RESERVED.