

# SHANGHAI CIPHY INDUSTRY CO.,LTD.

## ANSI CLASS 150/300

### CARBON STEEL OR STAINLESS STEEL

### 1-PC BALL VALVE BOLTED CAP DESIGN

**MODEL NO: SLAXRF-1P**



#### **BALL VALVE PRODUCT'S SIZE:**

PRESSURE GRADE	FROM	TO
CLASS 150	1-1/2"	6"
CLASS 300	1-1/2"	6"

#### **DESIGN DESCRIPTION:**

- \* **BOLTED CAP, 1-PC**
- \* **REDUCE PORT**
- \* **CONNECTRION: RF**
- \* **FLANGE TYPE(ANSI,DIN,BS)**
- \* **Anti-static feature**

#### **WORKING PRESSURE AND TEMPERATURE**

WORKING TEMPERATURE		
MATERIAL	CELSIUR SCALE	FAHRENHEIT
CARBON STEEL	-29 <sup>0</sup> C~425 <sup>0</sup> C	6 <sup>0</sup> F~822 <sup>0</sup> F
STAINLESS STEEL	-40 <sup>0</sup> C~550 <sup>0</sup> C	15 <sup>0</sup> F~1047 <sup>0</sup> F

#### **GENERAL DESIGN SPECIFICATIONS:**

ITEM	CLASS 150/300
MANUFACTURE	API 6D OR API608
PRESSURE-TEMPERATURE RATINGS	ACCORDING TO SEAT MATARIAL
FACE TO FACE	ANSI B16.10
END FLANGE	ANSI B16.5
INSPECTION AND TEST	API 598

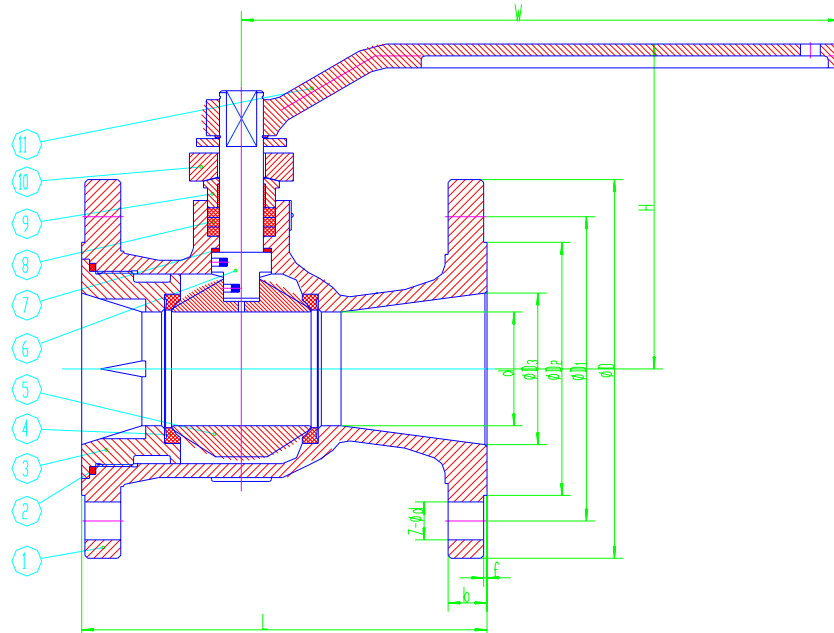
#### **TEST PRESSURE TO API 598**

ANSI	SHELL (WATER)		SEAT (WATER)		SEAT (AIR)	
150	3.1MPA	450PSI	2.2MPA	315PSI	0.6MPA	80PSI
300	7.8MPA	1125PSI	5.6MPA	815PSI	0.6MPA	80PSI

#### **PARTS AND MATERIAL (ASTM)**

NO	PARTS NAME	MATERIALS
1	BODY	ASTM A216-WCB
2	GASKET	PTFE
3	BONNET	ASTM A105
4	SEAT	PTFE/R-PTFE
5	BALL	WCB+ENP/F304/F316
6	STEM	F6a/F304/F316
7	LOW STEM SEAL	PTFE
8	STEM PAKCING	PTFE
9	GLAND	ASTM A182-F304
10	GLAND FLANGE	ASTM A216-WCB
11	LEVER	ASTM A216-WCB

OTHER MATERIALS ARE AVAILABLE UPON REQUEST.



### **DIMENSIONS LIST(UNIT:MM):**

#### CLASS 150

DN	INCH	L	d	D	D1	D2	D3	b	f	Z-d	W	H	WEIGHT(KG)
40	1-1/2	165	28	127	98.5	73	38	14.5	1.6	4-15	150	100	6
50	2	178	38	152	120.5	92	51	16	1.6	4-19	200	132	8
65	2-1/2	190	50	178	139.5	105	64	17.5	1.6	4-19	250	142	12
80	3	203	57	190	152.5	127	76	19.5	1.6	4-19	300	163	15
100	4	229	76	229	190.5	157	102	24	1.6	8-19	350	178	29
150	6	394	102	279	241.5	216	152	25.5	1.6	8-22	500	230	54

#### CLASS 300

DN	INCH	L	d	D	D1	D2	D3	b	f	Z-d	W	H	WEIGHT(KG)
40	1-1/2	190	28	156	114.5	73	38	21	1.6	4-22	150	100	9
50	2	216	38	165	127	92	51	22.5	1.6	8-19	200	132	11
65	2-1/2	241	50	190	149	105	64	25.5	1.6	8-22	250	142	15
80	3	283	57	210	168.5	127	76	29	1.6	8-22	300	163	22
100	4	305	76	254	200	157	102	32	1.6	8-22	350	178	40
150	6	403	102	318	270	216	152	37	1.6	12-22	500	230	81

**\* We hereby reserve the rights of any alternative dimension that would help to improve our valve's quality and working efficiency**



**SHANGHAI CIPHY INDUSTRY CO.,LTD**  
**7G-1 Building, N0.515 Yishan Rd.**  
**Shanghai, China**  
**TEL:+86-21-5497 5962**  
**FAX:+86-21-5497 5963**  
**HTTP://WWW.CIPHY.CN**  
**CIPHY@CIPHY.COM**  
**COPYRIGHT©2004-[CIPHY]**  
**ALL RIGHTS RESERVED.**