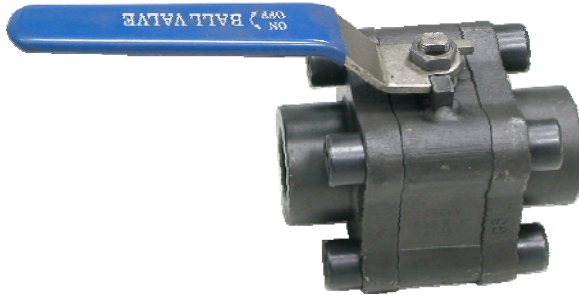


SHANGHAI CIPHY INDUSTRY CO.,LTD.

ANSI CLASS 800 FOR FORGED CARBON STEEL OR STAINLESS STEEL 3-PC BALL VALVE BOLTED CAP DESIGN

MODEL NO: FLAXTH-3P



BALL VALVE PRODUCT'S SIZE:

PRESSURE GRADE	FROM	TO
CLASS 800	1/2"	2"

DESIGN DESCRIPTION:

- * BOLTED CAP, 3-PC
- * FULL PORT
- * OPTIONAL: WELD BONNET O.S&Y TYPE
- * CONNECTION: THREADED END, SOCKETED END
- * THREAD TYPE(NPT, BSPT, DIN ENDS)
- * MATERIAL:
A105, F304, F316, F11, F22, F304L, F316L

WORKING PRESSURE AND TEMPERATURE

WORKING TEMPERATURE		
MATERIAL	CELSIUR SCALE	FAHRENHEIT
CARBON STEEL	-29 ⁰ C~425 ⁰ C	6 ⁰ F~822 ⁰ F
STAINLESS STEEL	-40 ⁰ C~550 ⁰ C	15 ⁰ F~1047 ⁰ F

GENERAL DESIGN SPECIFICATIONS:

ITEM	CLASS 800
MANUFACTURE	BS5351
PRESSURE-TEMPERATURE RATINGS	ANSI B16.34
SCREW THREADED DIMENSIONS	ANSI B 1.20.1
INSPECTION AND TEST	API 598

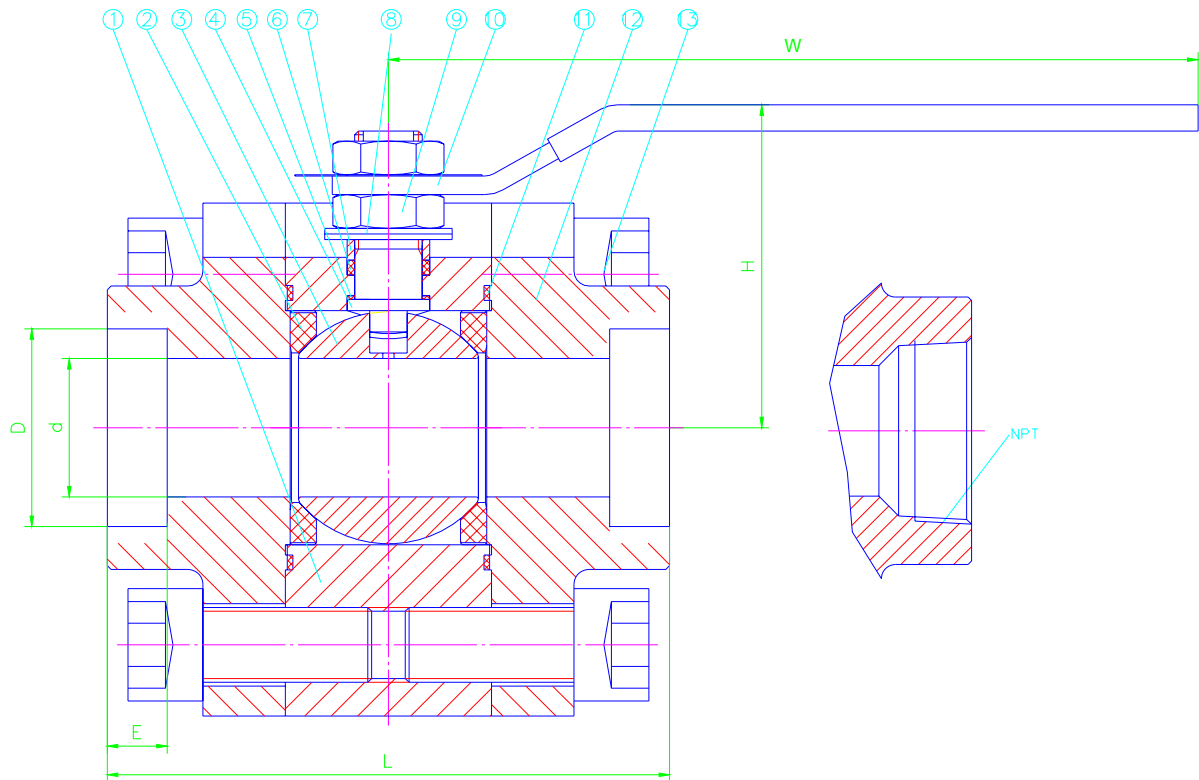
TEST PRESSURE TO API 598

ANSI	SHELL (WATER)		SEAT (WATER)		SEAT (AIR)		BACK SEAT (WATER)	
CLASS 800	21.1MPA	3000PSI	15.5MPA	2200PSI	0.6MPA	80PSI	15.5MPA	2200PSI

PARTS AND MATERIAL (ASTM):

NO.	PARTS NAME	MATERIALS				
		1	BODY	ASTM A105	ASTM F304	ASTM F316
5	THRUST PLATE	PTFE				
6	STEM PACKING	RAINFORCED GRAPHITE				
7	GLAND	ASTM A276 410	ASTM F304L	ASTM F316L	ASTM F304L	ASTM F316L
8	PLATE SPRING	STEEL				
9	GLAND NUT	ASTM A194 2H	ASTM A194 B8			
10	HANDLE	STEEL+PLASTIC				
11	GASKET	RAINFORCED GRAPHITE				
12	CAP	ASTM A105	ASTM F304	ASTM F316	ASTM F304L	ASTM F316L
13	SCREW	ASTM A193 B7	ASTM A193 B8			

OTHER MATERIALS ARE AVAILABLE UPON REQUEST.


DIMENSIONS LIST(UNIT:MM):

inch	mm	d	SOCKET WELDING		THREADED	L	H	W
			D	E	NPT			
3/8"	10	10	17.7	9.6	3/8"	80	51	120
1/2"	15	14	21.9	9.6	1/2"	92	55	120
3/4"	20	19	27.3	12.7	3/4"	108	63	160
1"	25	25	34	12.7	1"	120	67	180
1-1/4"	32	32	42.8	12.7	1-1/4"	135	83	215
1-1/2"	40	37	48.9	12.7	1-1/2"	145	87	215
2"	50	51	61.4	15.8	2"	170	101	250

*** We hereby reserve the rights of any alternative dimension that would help to improve our valve's quality and working efficiency**



SHANGHAI CIPHY INDUSTRY CO.,LTD
7G-1 Building, N0.515 Yishan Rd.
Shanghai, China
TEL:+86-21-5497 5962
FAX:+86-21-5497 5963
HTTP://WWW.CIPHY.CN
CIPHY@CIPHY.COM
COPYRIGHT©2004-[CIPHY]
ALL RIGHTS RESERVED.