

SHANGHAI CIPHY INDUSTRY CO.,LTD.

ANSI CLASS 800 OF FORBED BAR CARBON STEEL OR STAINLESS STEEL BALL VALVE BOLTED CAP DESIGN

MODEL NO: FLAXTH-2P



BALL VALVE PRODUCT'S SIZE:

PRESSURE GRADE	FROM	TO
CLASS 800	1/2"	2"

DESIGN DESCRIPTION:

- * BOLTED CAP, 2-PC
- * FULL PORT
- * OPTIONAL: WELD BONNET O.S&Y TYPE
- * CONNCTRION: THREADED END, SOCKETED END
- * THREAD TYPE(NPT, BSPT, DIN ENDS)
- * MATERIAL:
A105, F304, F316, F11, F22, F304L, F316L

WORKING PRESSURE AND TEMPERATURE

WORKING TEMPERATURE		
MATERIAL	CELSIUR SCALE	FAHRENHEIT
CARBON STEEL	-290C~4250C	60F~8220F
STAINLESS STEEL	-400C~5500C	150F~10470F

GENERAL DESIGN SPECIFICATIONS:

ITEM	CLASS 600
MANUFACTURE	API 602
PRESSURE-TEMPERATURE RATINGS	ANSI B16.34
FACE TO FACE	ANSI B 16.10
END FLANGE	MSS SP-25
INSPECTION AND TEST	API 598

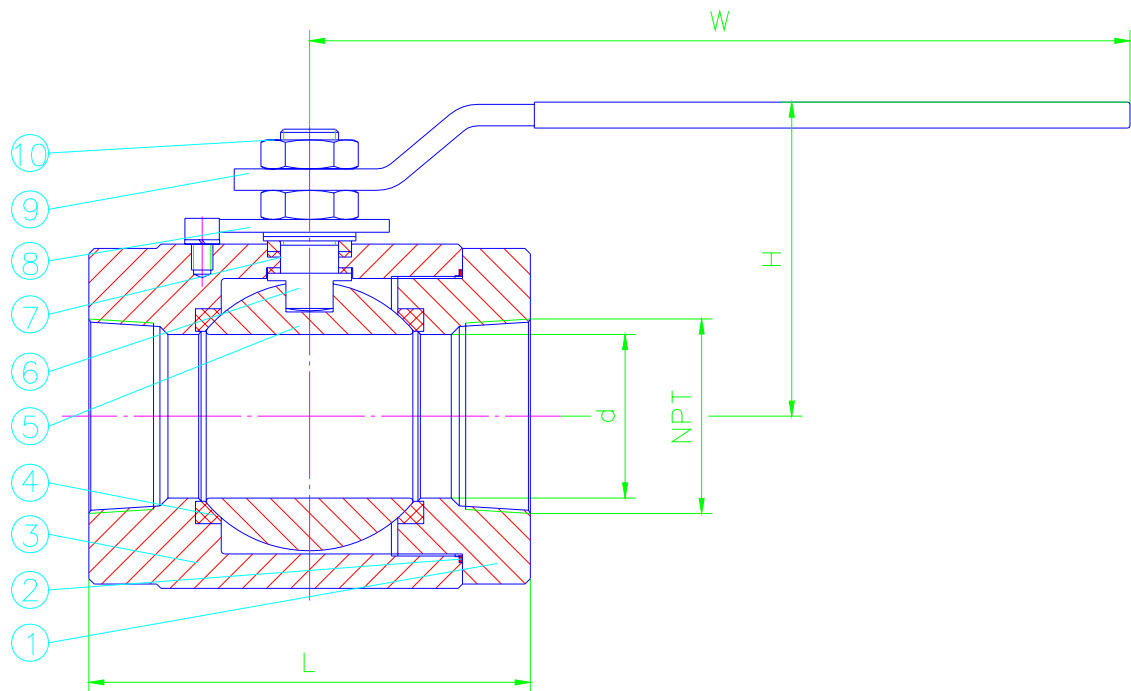
TEST PRESSURE TO API 598

ANSI	SHELL (WATER)		SEAT (WATER)		SEAT (AIR)		BACK SEAT (WATER)	
CLASS 800	21.1MPA	3000PSI	15.5MPA	2200PSI	0.6MPA	80PSI	15.5MPA	2200PSI

PARTS AND MATERIAL (ASTM)

NO.	PARTS NAME	MATERIALS				
1	CAP	ASTM A105	ASTM F304	ASTM F316	ASTM F304L	ASTM F316L
2	GASKET	GRAPHITE+304		GRAPHITE+316		
3	BODY	ASTM A105	ASTM F304	ASTM F316	ASTM F304L	ASTM F316L
4	SEAT	R-PTFE				
5	BALL	ASTM A105+ENP	ASTM F304	ASTM F316	ASTM F304L	ASTM F316L
6	STEM	F6	F304	ASTM F316	ASTM F304L	ASTM F316L
7	STEM PACKING	PTFE				
8	STOP PLATE	CARBON STEEL				
9	HANDLE	STEEL+PLASTIC				
10	NUT	ASTM A194 2H	ASTM A194 B8			

OTHER MATERIALS ARE AVAILABLE UPON REQUEST.


DIMENSIONS LIST(UNIT:MM):

inch	mm	d	NPT	L	H	W
3/8"	10	10	3/8"	66.04	56	150
1/2"	15	13	1/2"	73.66	60.5	150
3/4"	20	19	3/4"	88.9	75	180
1"	25	25	1"	101.6	80	180
1-1/4"	32	32	1-1/4"	112	98	240
1-1/2"	40	38	1-1/2"	133.35	102	240
2"	50	51	2"	149.86	119	240
3"	80	76	3"	205	146	380

*** We hereby reserve the rights of any alternative dimension that would help to improve our valve's quality and working efficiency**



SHANGHAI CIPHY INDUSTRY CO.,LTD
7G-1 Building, N0.515 Yishan Rd.
Shanghai, China
TEL:+86-21-5497 5962
FAX:+86-21-5497 5963
HTTP://WWW.CIPHY.CN
CIPHY@CIPHY.COM
COPYRIGHT©2004-[CIPHY]
ALL RIGHTS RESERVED.